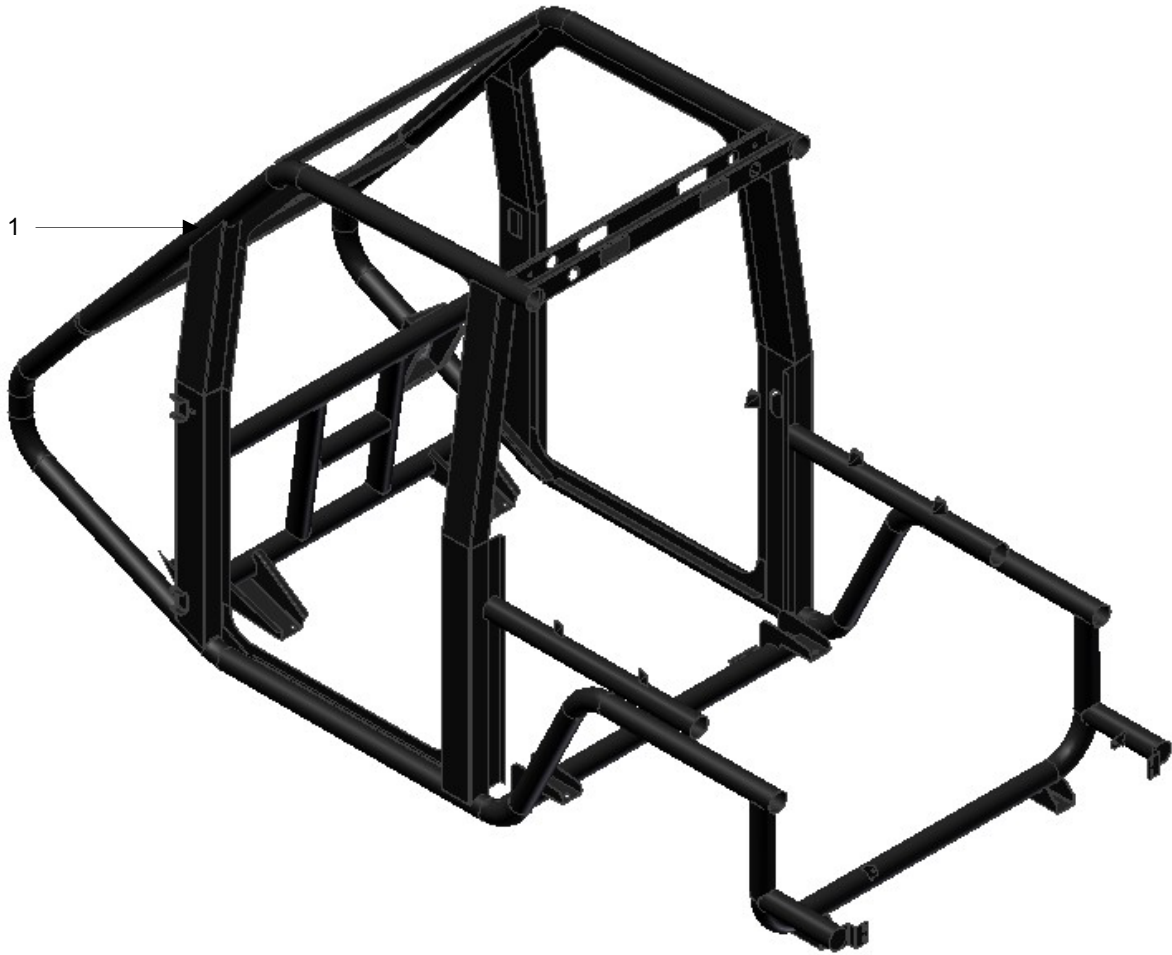


Introduction

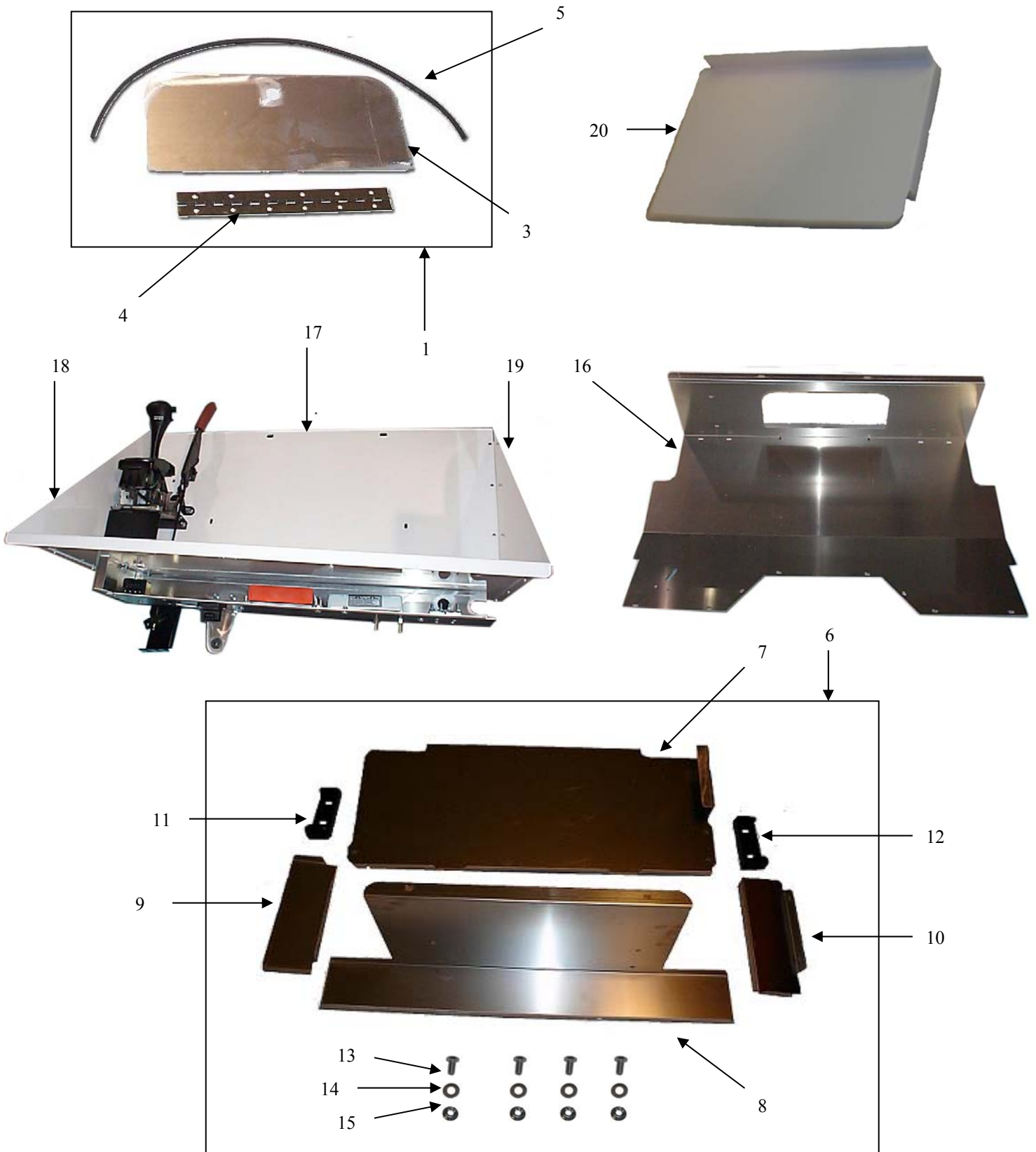
This parts catalog is a supplement of service parts information for the hinged door (NY) model “Westward Industries Ltd. **GO-4 Interceptor III**”

To make effective use of this catalog, please read and become thoroughly acquainted with “General Information”. Only “*WIL*” brand genuine parts can be fitted to the GO-4 vehicle with confidence because of proven reliability. “*Westward Industries Genuine Parts*” are superior and reliable because they have been produced under a strict quality-control system, and met the standard through exact inspection. Whenever you need service parts, your GO-4 dealer will always provide a complete range of genuine parts to give you prompt service.

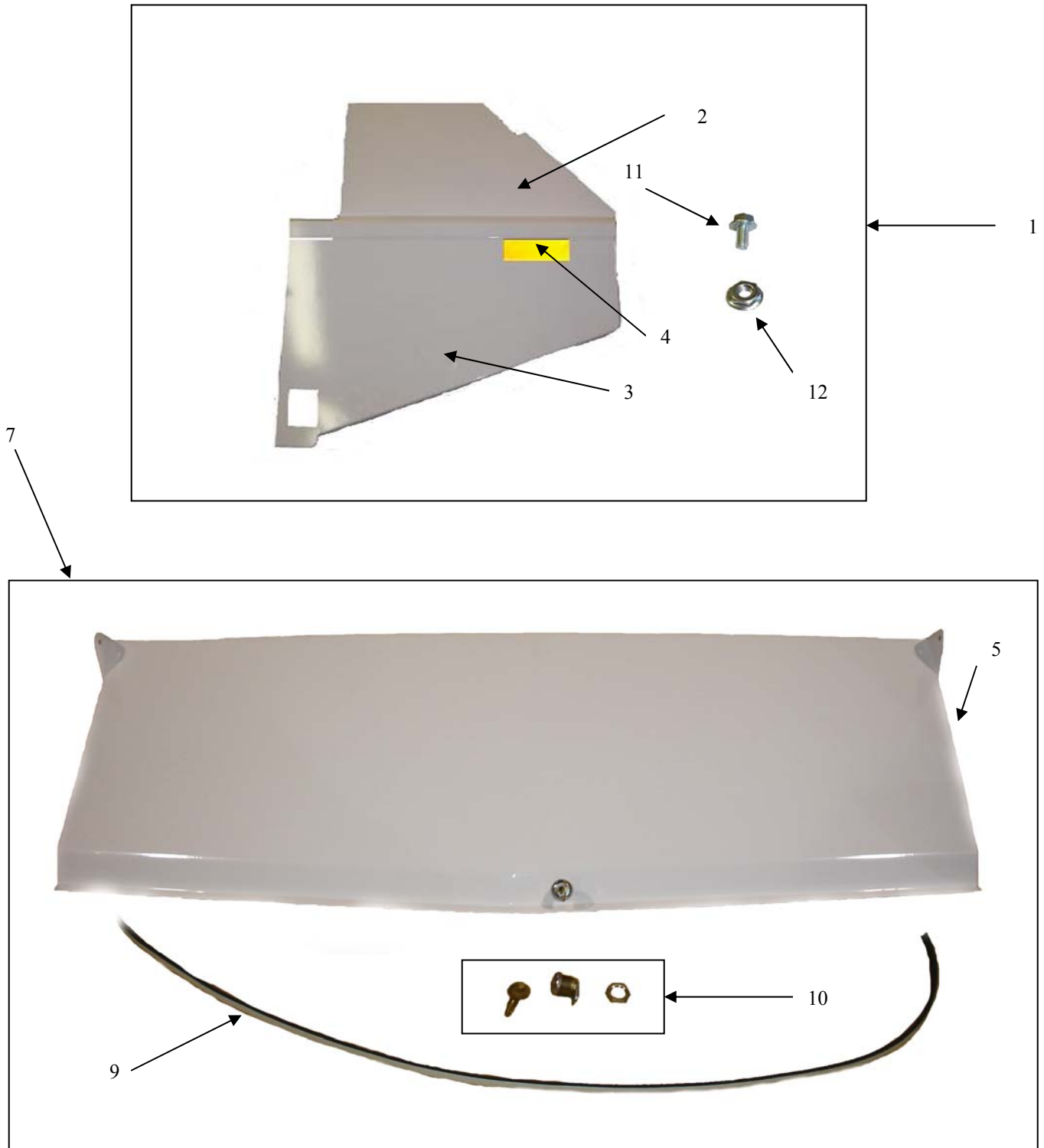
Note: All data and specifications contained in this catalog are based on the latest product information available at the time of issue and they can be changed without prior notice.



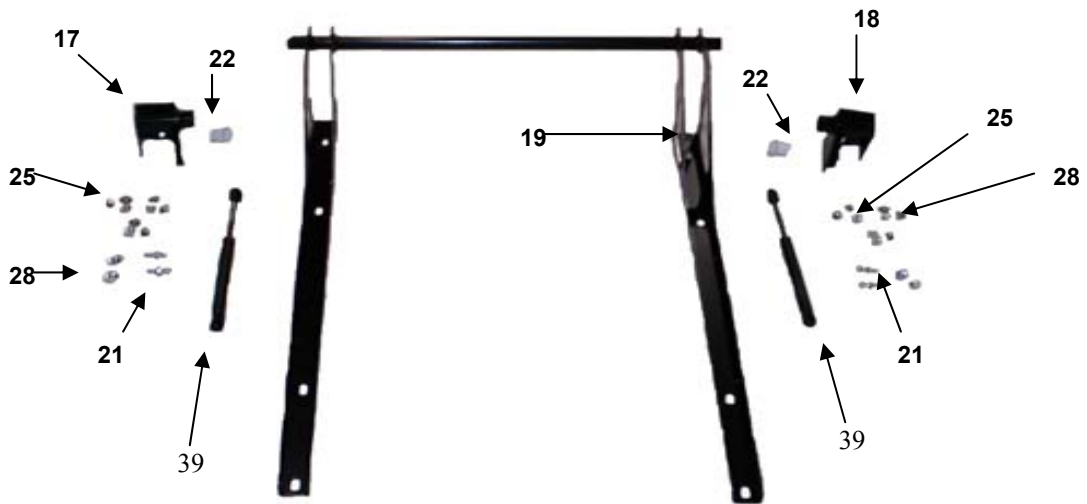
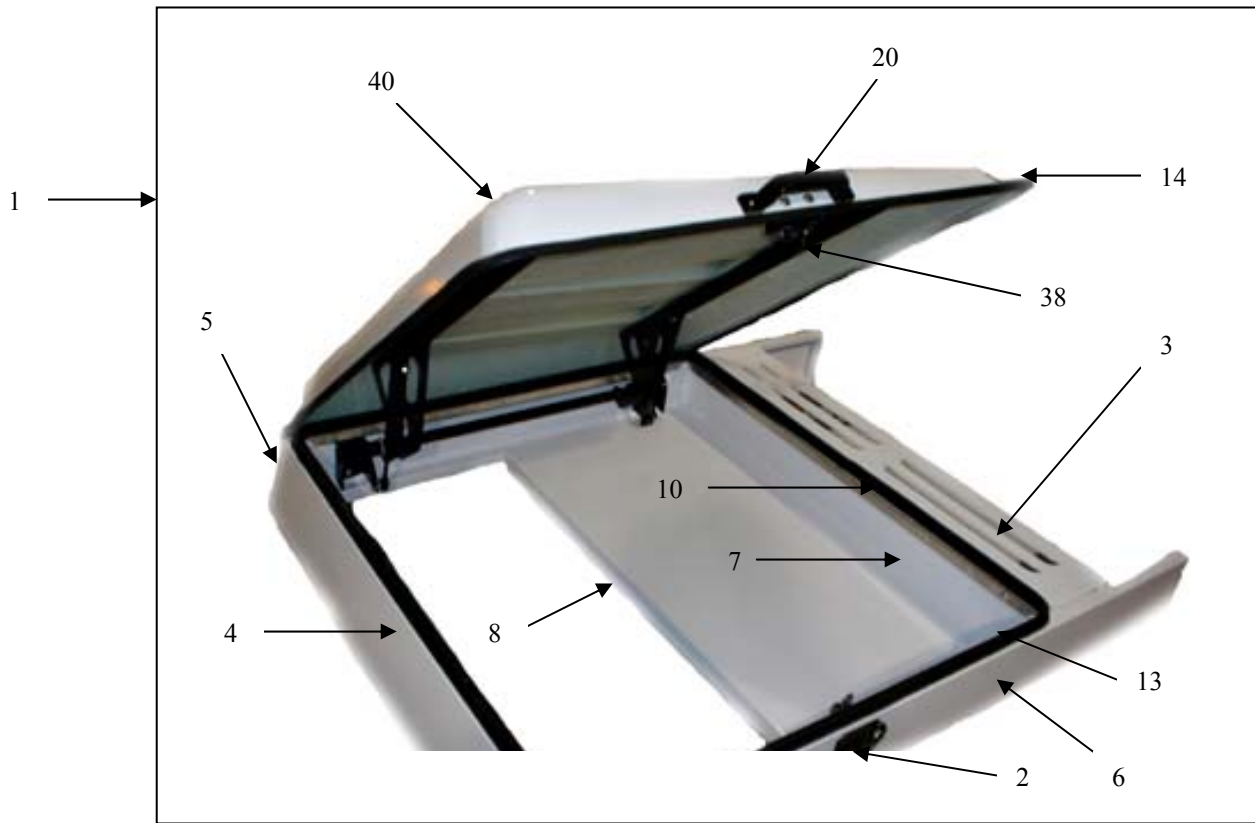
<i>REF.</i>	<i>PART NAME</i>	<i>PART NO.</i>	<i>QTY.</i>
<i>1</i>	<i>Frame</i>	<i>3-10-002</i>	<i>1</i>



<i>REF.</i>	<i>PART NAME</i>	<i>PART NO.</i>	<i>QTY.</i>
1	Storage Door Assy.	1-60-018	1
2	Quarter Turn Latch (Not Shown)	522-x66(11)	1
3	Door, Storage Box	1-60-221-99	1
4	Piano Hinge	954178	1
5	Door Trim	1-60-216	1
6	Storage Box Assy.	1-60-017	1
7	Storage Box Panel	1-60-222	1
8	Fuel Tank Shield	1-60-225	1
9	Storage Box End Cap LH	1-60-223	1
10	Storage Box End Cap RH	1-60-224	1
11	Fuel Tank Mount LH	1-31-130	1
12	Fuel Tank Mount RH	1-31-120	1
13	3/8 Hex Head Cap Bold	771033	4
14	3/8 Flat Washer	774030	4
15	3/8 Flange Lk Nut	774235	4
16	Floor Panel	3-60-207-60	1
17	Panel, Seat Support	1-60-226-02	1
18	Panel, Seat Support LH	3-60-208-02	1
19	Panel, Seat Support RH	3-60-209-02	1
	Access Panel, Fuel Pump (Not Shown)	1-60-227-02	1
	Seal, Access Panel (Not Shown)	1-60-228	1
	Trim, Seat Panel Endcap (Not Shown)	1-60-207	1
20	Filler Panel, Seat LH	3-60-204-02	1
	Filler Panel, Seat RH (Not Shown)	3-60-205-02	1
21	Angle, Seat Reinforcement (Not Shown)	3-60-210-01	1

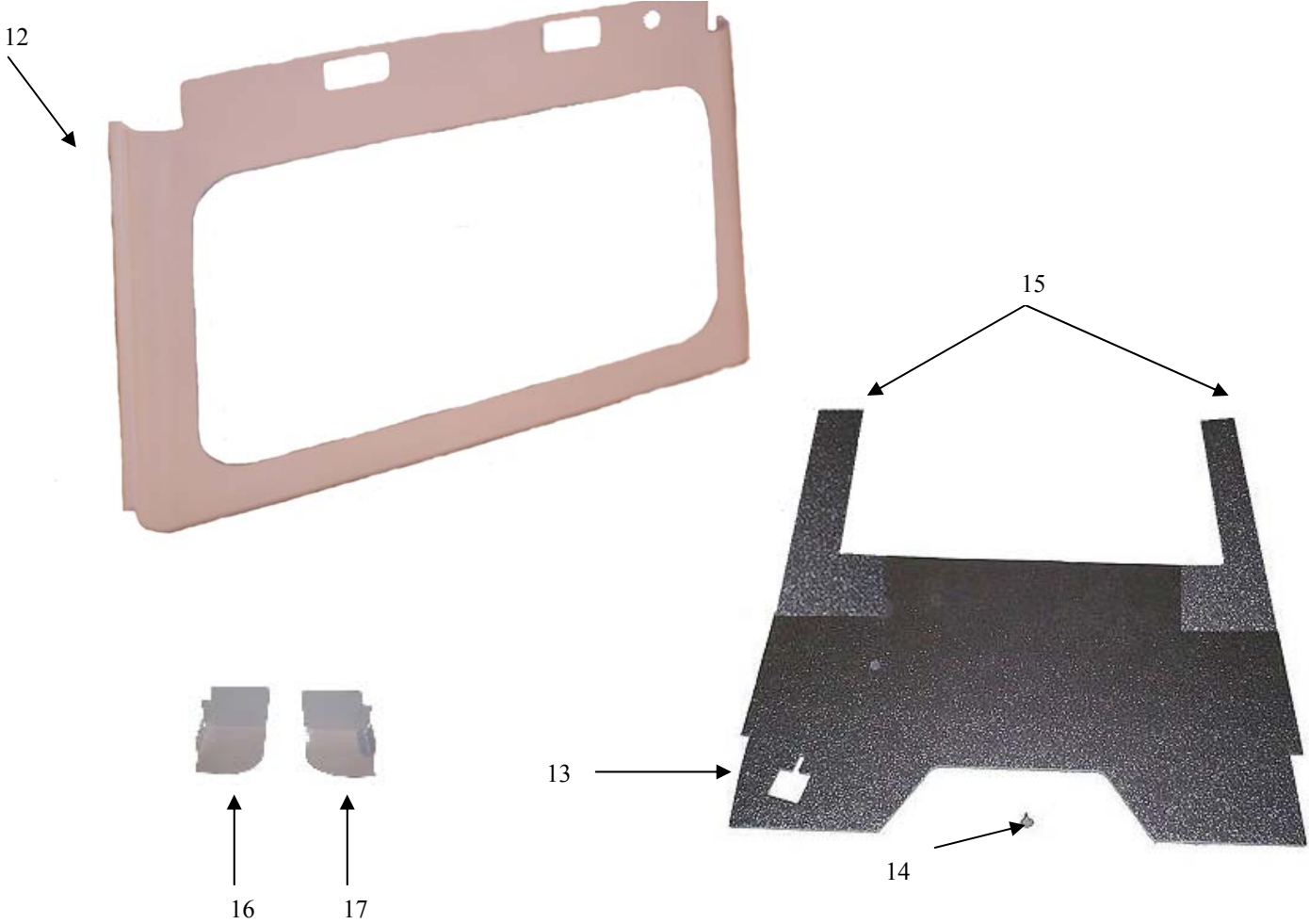
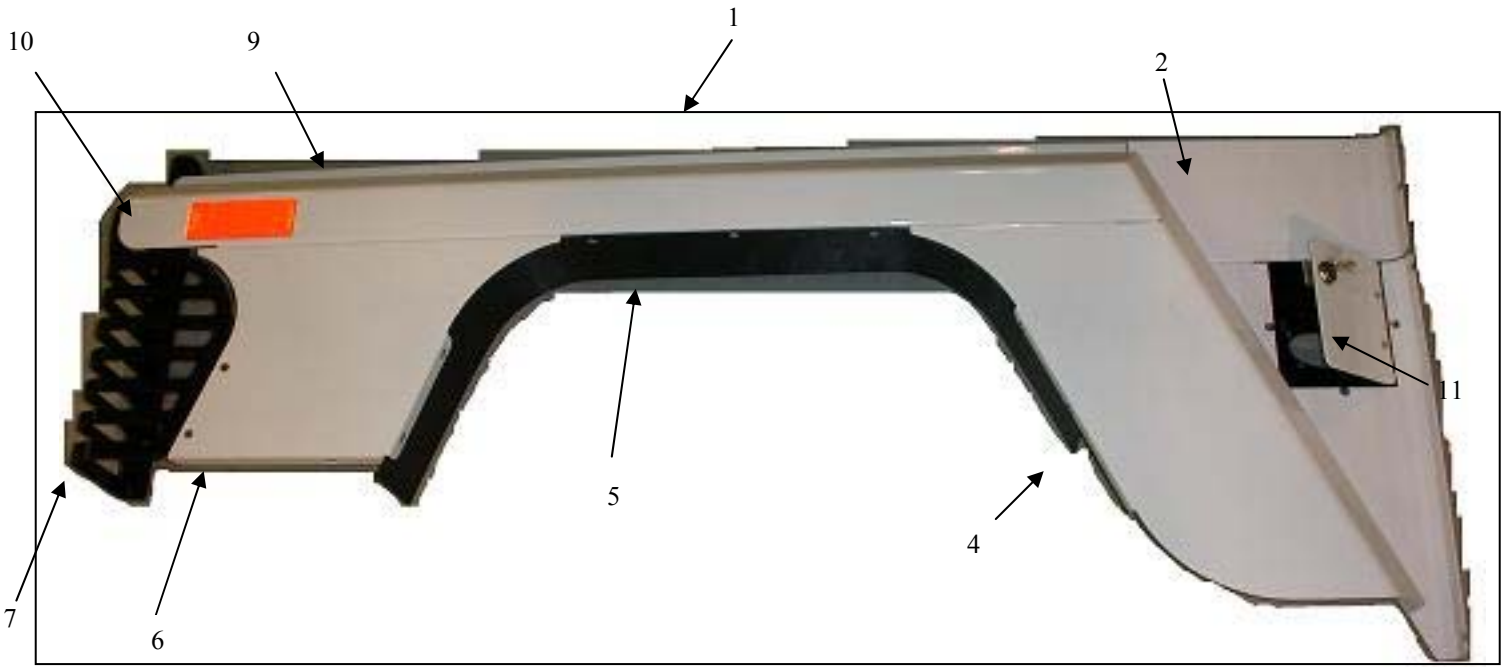


<i>REF.</i>	<i>PART NAME</i>	<i>PART NO.</i>	<i>QTY.</i>
1	Assy, Front Side Panel, RH	3-60-003-02	1
	Assy, Front Side Panel, LH (not shown)	3-60-002-02	1
2	Side Panel Front Upper, RH	1-60-112-02	1
	Side Panel Front Upper, LH (not shown)	1-60-111-02	1
3	Side Panel Front Lower, RH	3-60-102-02	1
	Side Panel Front Lower, LH (not Shown)	3-60-101-02	1
4	Amber Spitfire Reflector	691755	2
5	Hood Front Hinged	1-60-103-02	1
6	A/C Hood, Front (not shown)	1-60-104-02	1
7	Assembly Hinged Front Hood	1-60-012	1
8	Assy Hinged Front Hood A/C (not shown)	1-60-013	1
9	Seal, Front Hood (41.5")	1-86-127	1
10	Key Cylinder c/w Barrel Nut CH505	584028	1
11	Flange Bolt	771035	2
12	Flange Nut	771036	2

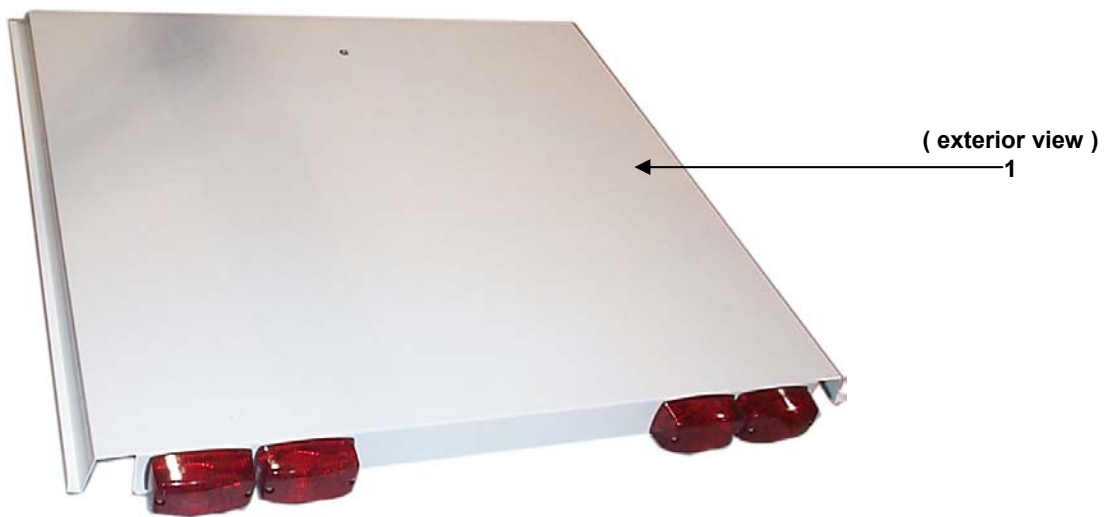
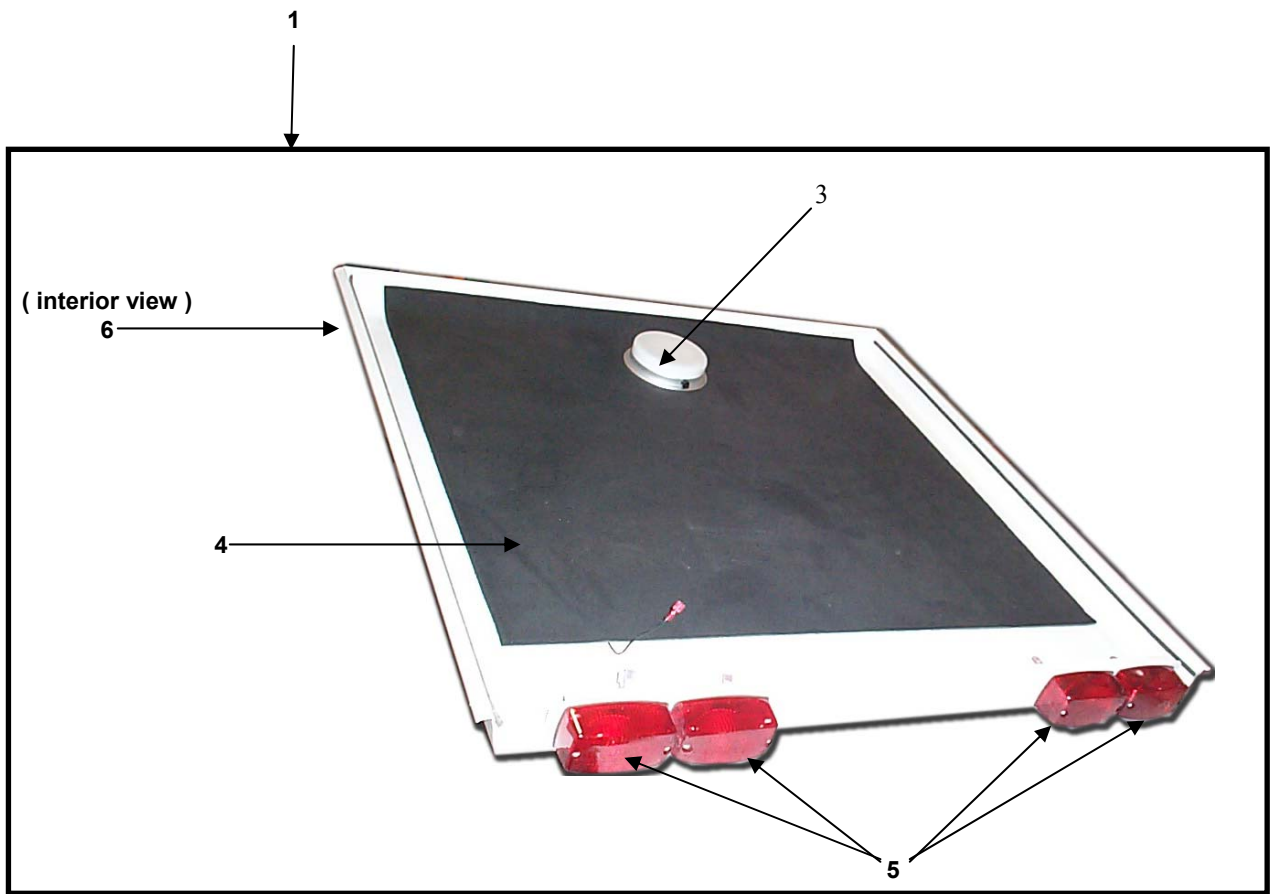


1	Side opening trunk assy	3-65-001	1
2	Trunk latch w/ guide plate[NS]	18-471-ss(ep)	1
3	Panel, engine inspection	3-65-102	1
4	Rear panel, upper trunk	3-65-103	1
5	Side rail, upper trunk LH	3-65-104	1
6	Side rail, upper trunk RH	3-65-105	1
7	Front panel, upper trunk	3-65-106	1
8	Panel, upper trunk floor	3-65-107	1
9	Short seal tab, trunk lid[NS]	3-65-108	2
10	Long seal tab, trunk lid	3-65-109	2
11	Corner seal tab, trunk lid	3-65-110	4
12	Plate, trunk lid striker [NS]	3-65-111	1
13	Seal, trunk lid (152")	3-65-113	1
14	Trim, trunk lid (157")	3-65-114	1
15	Seal, trunk lid seal tab (151.75") [NS]	3-65-115	1
16	Mount, trunk lid striker	3-65-116	1
17	Weld't Trunk Hinge Mount LH	3-65-120	1
18	Weld't Trunk Hinge Mount RH	3-65-121	1
19	BK Weld't Trunk Hinge	3-65-130	1
20	Handle Trunk Lid	4302-01	1
21	Ball Stud Gas Prop	621008	4
22	1" Nylon Bushing (16L16F)	621469	2
23	¼ x ¾ 39.5 Foam [Trunk][NS]	624018	1
24	Insulation Foil [5.31 Sq Ft][NS]	682975	1
25	¼" NC Flange LK Nut	771036	12
26	Floor Mounting Tabs [NS]	771099	2
27	BSPS6-4 3/16" Alum Rivet Steel Mandrill	771498	47
28	¼" Stainless Steel Flat Washer	773172	10
29	SD66BS 6-6 Alum Rivet Steel Mandrill [NS]	773397	4
30	Panel Adhesive PL 200[not shown]	773874	1
31	¼" NC x ½" Phillips SS Pan Head Bolt [ns]	774034	6
32	¼" NC x 1" SS Hex Head Bolt [NS]	774151	2
33	3/16" Closed end Rivet [NS]	774158	2
34	¼" SS Nylon Lock Nut [NS]	774247	2
35	5/16" NC x ¾" SS Socket Button Head Screw [NS]	774264	4
36	¼" NC x 5/8" SS Phillips Pan Head Screw	774267	6
37	5/16" ID x ¾" OD SS Neoprene Washer [NS]	774269	4
38	Striker Assembly Tailgate [NS]	81710-02010	1
39	Gas Prop 60 lbs 12" 3 ¼" Stroke	H-9412-60	2
40	[Twintex]trunk lid	1-65-165	1

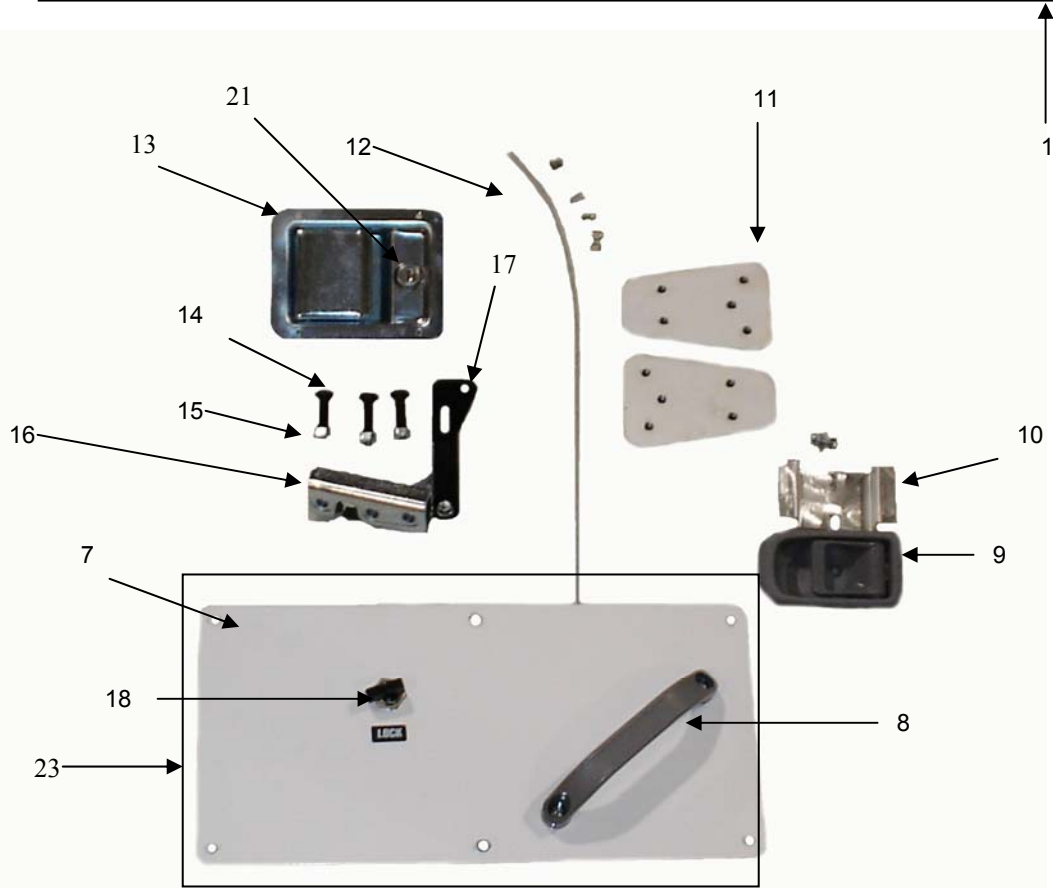
[NS] = Not Shown



<i>REF.</i>	<i>PART NAME</i>	<i>PART NO.</i>	<i>QTY.</i>
1	Rear Fender Assembly, RH	3-60-011-02	1
	Rear Fender Assembly, LH (not shown)	3-60-010-02	1
	Rear Fender Assembly, RH(Filler Door)	3-60-012-02	1
2	Panel, Side Access, LH (not shown)	3-60-111-02	1
	Panel, Side Access, RH	3-60-112-02	1
3	Mount, Fuel Filler (Not Shown)	1-86-244-01	1
4	Panel, Engine Intake, LH (not shown)	3-60-113-02	1
	Panel, Engine Intake, RH	3-60-114-02	1
5	Splash Guard, Outer	1-60-139-01	2
6	Panel, Rear Corner, LH (not shown)	1-60-137-02	1
	Panel, Rear Corner, RH	1-60-138-02	1
7	Rear Tail Light Cover, LH (not shown)	1-86-231-01	1
	Rear Tail Light Cover, RH	1-86-232-01	1
8	Flat Head Bolt, Stainless Steel (not shown)	774080	4
9	Panel, Upper Step Side, LH (not shown)	1-60-120-02	1
	Panel, Upper Step Side, RH	1-60-121-02	1
10	Reflective Tape, Red	691754	2
11	Locking Fuel Door Assembly	3-86-003-02	1
12	Cab Wrapper	3-60-108-02	1
13	Floor Mat	3-84-101	1
14	Push Button	771099	20
15	Strip, Floor Mat	3-84-102	2
16	Corner, Cab Wrapper, LH	3-60-109-02	1
17	Corner, Cab Wrapper, RH	3-60-110-02	1



<i>REF.</i>	<i>PART NAME</i>	<i>PART NO.</i>	<i>QTY.</i>
1	Roof Assy.	3-60-006	1
3	Dome Light	514015	1
4	Roof Liner	1-84-201	1
5	Clearance Light (Red)	1-91-301	4
6	Panel, Roof	3-60-107	1



REF.	PART NAME	PART NO.	QTY.
1	Assembly, Hinged Door, LH	3-81-001	1
	Assembly, Hinged Door, RH (NS)	3-81-002	1
2	Outer Panel, Hinged Door, LH	3-81-103	1
	Outer Panel, Hinged Door, RH (NS)	3-81-104	1
3	Inner Panel, Hinged Door, LH	3-81-105	1
	Inner Panel, Hinged Door, RH (NS)	3-81-106	1
4	Weld't Lower Door Hinge	3-81-130	2
5	Weld't Upper Door Hinge, LH	3-81-120	1
	Weld't Upper Door Hinge, RH (NS)	3-81-121	1
6	Window Hinged Door, LH	3-81-101	1
	Window Hinged Door, RH (NS)	3-81-102	1
7	Inspection Panel Hinged Door	3-81-107	2
8	Assist Door Handle	AA100-69-470	2
9	Inner Door Handle	AA100-58-320	2
10	Bracket Inside Paddle Handle	3-81-108	2
11	Inner Plate Door Hinge	3-81-115	4
12	Cable, Door Latch (17")	3-81-116	2
13	Remote Paddle Handle Door Latch 505 Key	1-81-129	2
14	5/16-NCx1-1/2 Flat Socket Hd Bolt	773676	6
15	5/16-NC Stover Lk Nut	771040	6
16	Latch, Door LH (Double Actuator)	1-400L	1
	Latch, Door RH (Double Actuator) (NS)	1-400R	1
17	Link, Door Latch	3-81-109	1
18	Quarter Turn Cylinder, Inside Door Lock	522-X66(11)	2
19	Barrel Nut (NS)	4901-18	2
20	Cam Plate, Quarter Turn Cylinder (NS)	5974-25(64)	2
21	Key Cylinder, Outside Door Lock	5974-61PR	2
22	5/16 NC X 3/4 SS Socket Flt Hd Screw (NS)	774253	16
22	5/16-NCx3/4 SS Socket Button Hd Screw (NS)	774264	4
23	Assy, Inspection Panel, LH	3-81-003-02	1
24	Assy, Inspection Panel, RH (NS)	3-81-002-02	1

(NS) = Not Shown