

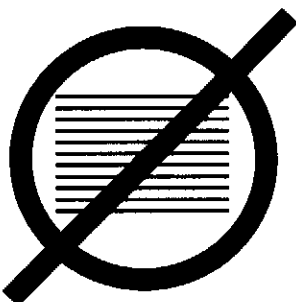
# Introduction

This Manual contains a parts list for your 1996 GO-4 Interceptor and is divided into major sections which correspond to the groups shown in the Table of Contents and the accompanying illustration. The first page of each major section lists the contents of that section, each of which consists of exploded views and related listing tables.

*REFERENCE VIN NUMBER*.....

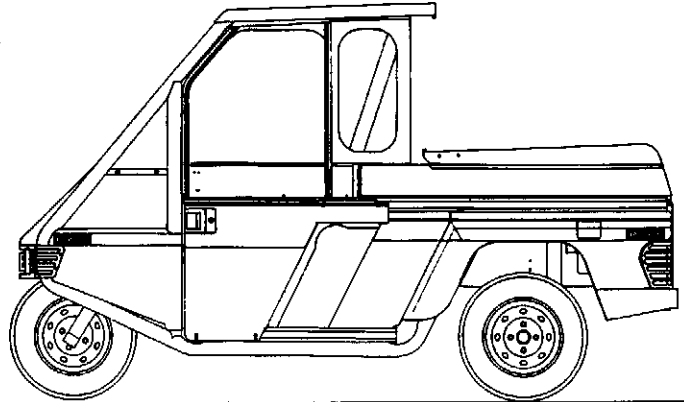
This Parts Book is effective for the following Serial Numbers;

..... to .....



**DO NOT PHOTO COPY  
THIS DOCUMENT**

Contents are protected under copywrite laws,  
additional Manuals are available.



# using the manual...

## When ordering parts...

Always provide the **Model** and **Serial Number** of your vehicle to assist in ordering and obtaining the correct parts. Use the exploded view and table listing of the area of interest for exact identification.

## Using the Manual...

Parts information consists of exploded view illustrations and photographs of the associated Parts List tables as follows;

### REFERENCE NUMBER

The Reference number is the identifier number from the illustration.

For example;

Number 3 on an illustration page points to the component which is item 3 on the accompanying page, under the column "*Ref. No.*"

### DESCRIPTION

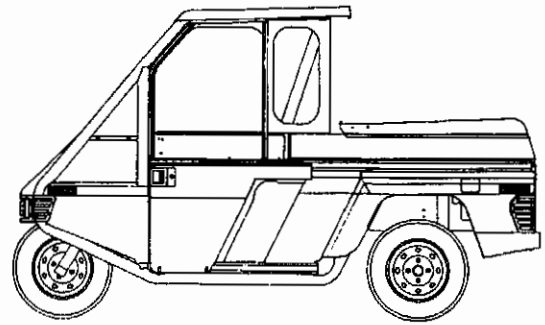
This column contains the name and description of the Part.

### PART NUMBER

The Part Number is the six digit number which is specific to the part you are ordering.

### QUANTITY

This column shows the quantity of each part used in the component or assembly required.

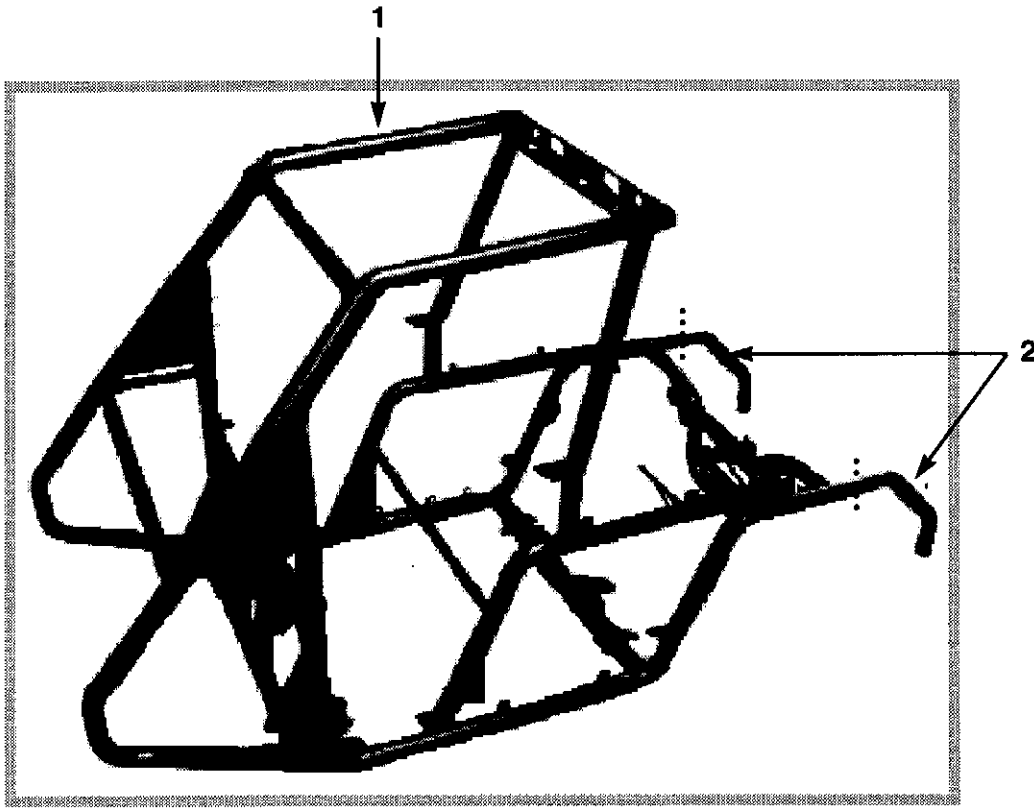


# Table of Contents

|                                               |     |
|-----------------------------------------------|-----|
| Introduction and VIN Numbers .....            | 1   |
| Instructions for Using the Manual .....       | 2   |
| Table Of Contents .....                       | 3   |
| <br>                                          |     |
| Frame .....                                   | 4   |
| Oil Pan & Timing Cover .....                  | 6   |
| Cylinder Block .....                          | 8   |
| Cylinder Head & Cover .....                   | 10  |
| Piston, Crankshaft & Flywheel .....           | 12  |
| <br>                                          |     |
| Fuel System .....                             | 14  |
| Air Cleaner .....                             | 16  |
| Fuel Distributor .....                        | 18  |
| Exhaust Manifold .....                        | 20  |
| Air Cleaner .....                             | 22  |
| <br>                                          |     |
| Intake Manifold .....                         | 24  |
| Cooling System .....                          | 26  |
| Transmission .....                            | 28  |
| Battery .....                                 | 30  |
| Starter .....                                 | 32  |
| <br>                                          |     |
| Alternator .....                              | 34  |
| Distributor .....                             | 36  |
| Engine Electrical System .....                | 38  |
| Switches & Relays (Engine) .....              | 40  |
| Torque Converter, Oil Pump & Rings .....      | 42  |
| <br>                                          |     |
| Transmission Case & Main Control System ..... | 44  |
| Rear Suspension .....                         | 46  |
| Drive Shafts .....                            | 50  |
| Steering .....                                | 52  |
| Front Suspension .....                        | 56  |
| <br>                                          |     |
| Tires & Jack .....                            | 58  |
| Engine & Transmission Mount .....             | 60  |
| Exhaust System .....                          | 62  |
| Accelerator .....                             | 64  |
| Fuel Tank & Line .....                        | 66  |
| <br>                                          |     |
| Brake System .....                            | 68  |
| Parking Brake .....                           | 70  |
| Change Control .....                          | 72  |
| Bumpers .....                                 | 74  |
| Lighting .....                                | 76  |
| <br>                                          |     |
| Body Panels .....                             | 78  |
| Interior Body Panels .....                    | 82  |
| Seats & Seat Belts .....                      | 84  |
| Door, Lower .....                             | 86  |
| Door Windows .....                            | 88  |
| <br>                                          |     |
| Heating .....                                 | 90  |
| Air Conditioner .....                         | 92  |
| Upper Trunk Assembly .....                    | 100 |
| Lower Trunk .....                             | 102 |
| Windows .....                                 | 104 |
| <br>                                          |     |
| Windshield Wiper .....                        | 106 |
| Electrical Panel assembly .....               | 108 |
| Wiring Harness .....                          | 112 |
| Dash & Wiring Harness .....                   | 114 |
| Caution Plates .....                          | 116 |

# FRAME

---

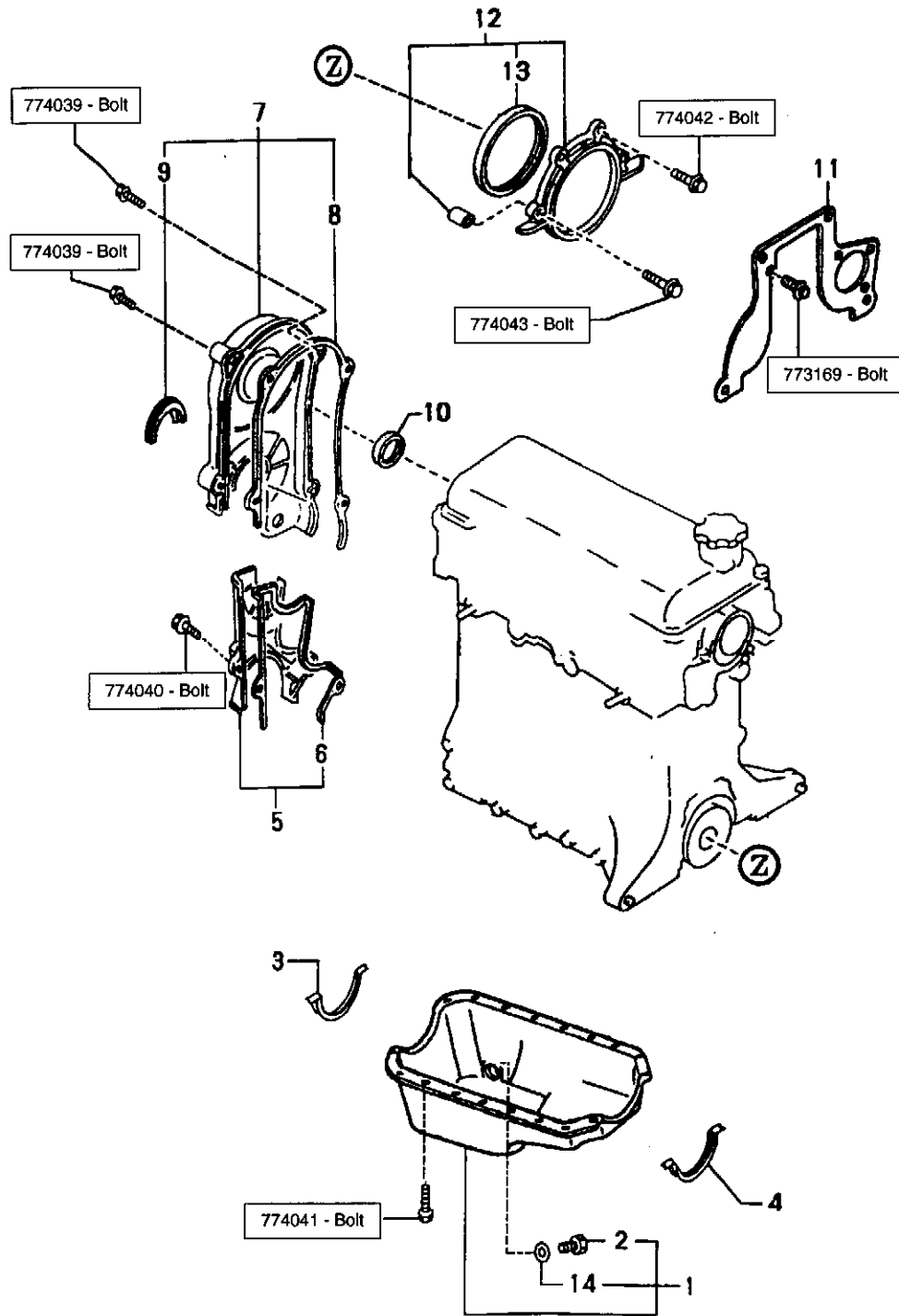


# FRAME

---

| <i>REF.</i> | <i>PART NAME</i> | <i>PART NO.</i> | <i>QTY</i> |
|-------------|------------------|-----------------|------------|
| 1           | Frame            | 018021          | 1          |
| 2           | Frame Extension  | 013782          | 2          |

# OIL PAN & TIMING COVER

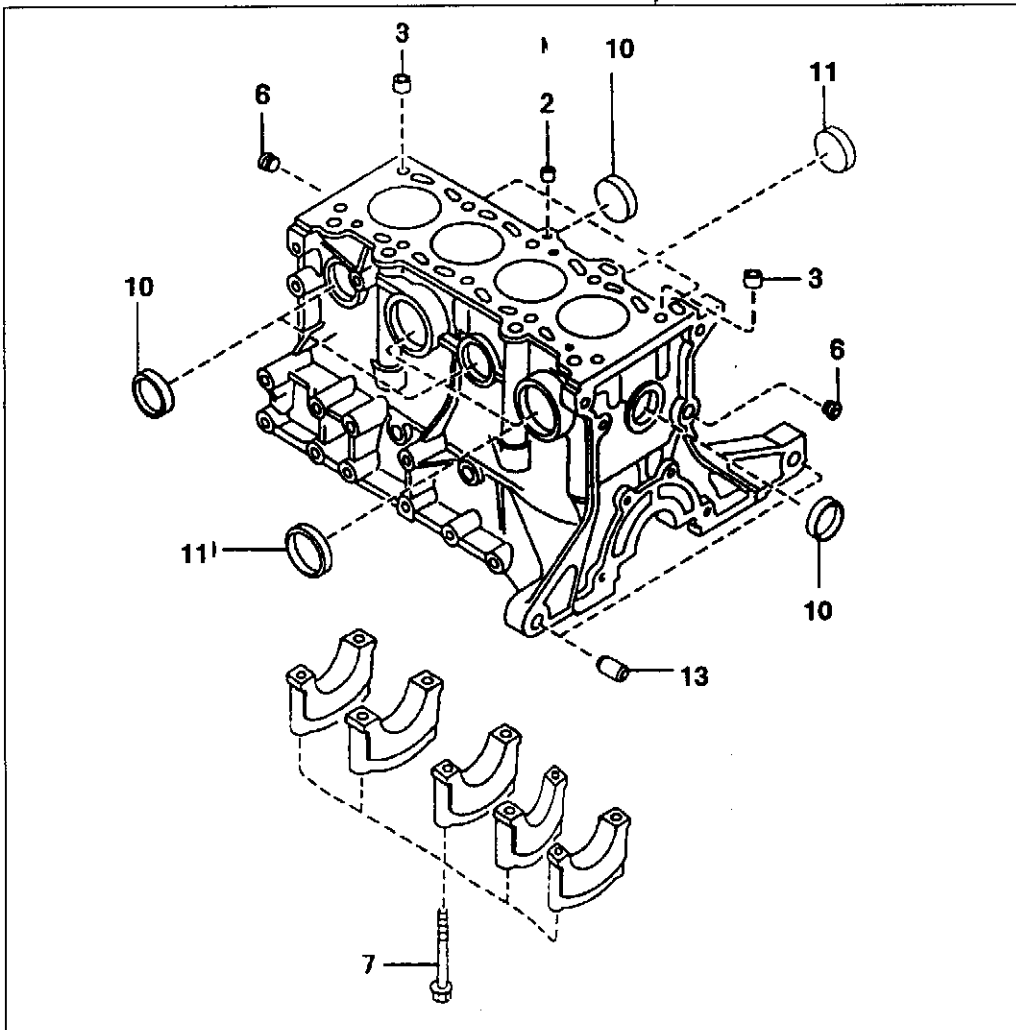
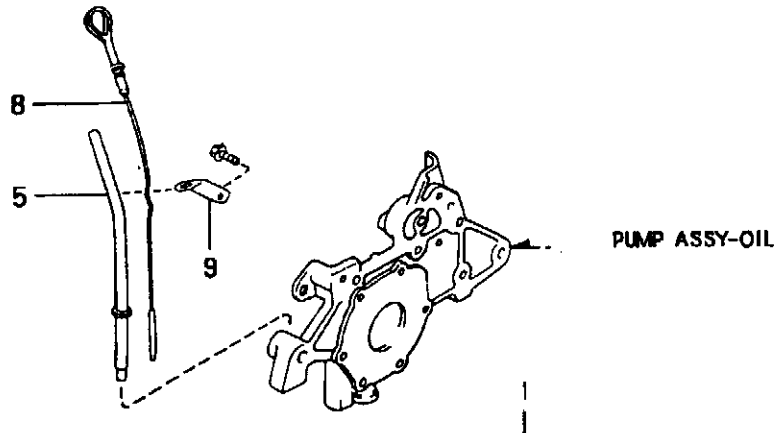


## OIL PAN & TIMING COVER

---

| <i>REF.</i> | <i>PART NAME</i>       | <i>PART NO.</i> | <i>QTY</i> |
|-------------|------------------------|-----------------|------------|
| 1           | Pan Assembly-Oil       | 104000          | 1          |
| 2           | Plug                   | 104001          | 1          |
| 3           | Gasket-Oil Pan         | 104002          | 1          |
| 4           | Gasket-Oil Pan         | 104003          | 1          |
| 5           | Cover, Assembly, Lower | 104004          | 1          |
| 6           | Gasket-Cover, T, Belt  | 104005          | 1          |
| 7           | Cover, Assembly, Upper | 104006          | 1          |
| 8           | Gasket-Cover, T, Belt  | 104007          | 1          |
| 9           | Gasket                 | 104008          | 1          |
| 10          | Seal-Oil               | 104009          | 1          |
| 11          | Plate-End              | 104010          | 1          |
| 12          | Cover Assembly- Rear   | 104011          | 1          |
| 13          | Seal-Oil               | 104012          | 1          |
| 14          | Seal-Plug              | 104013          | 1          |

# CYLINDER BLOCK



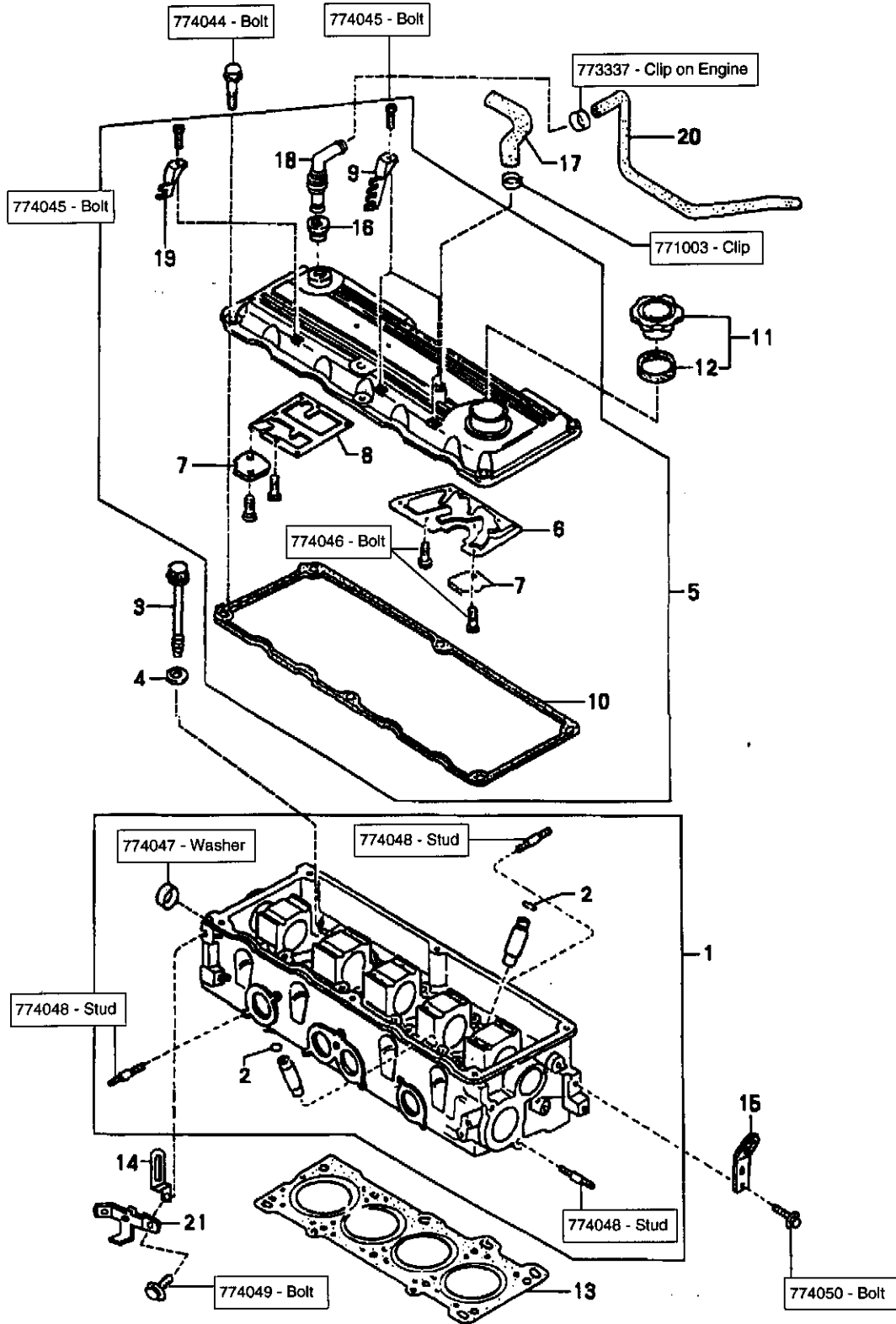


## CYLINDER BLOCK

---

| <i>REF.</i> | <i>PART NAME</i>        | <i>PART NO.</i> | <i>Q'TY</i> |
|-------------|-------------------------|-----------------|-------------|
| 1           | Block Assembly-Cylinder | 104014          | 1           |
| 2           | Plug-Oil Control        | 104015          | 1           |
| 3           | Pin-Tubular             | 104016          | 2           |
| 5           | Joint-Oil Filter        | 104017          | 1           |
| 6           | Blind Plug              | 104018          | 2           |
| 7           | Bolt-C.Shaft Cap        | 104019          | 10          |
| 8           | Gage Assembly-Oil Level | 104020          | 1           |
| 9           | Bracket-Oil Level Gage  | 104021          | 1           |
| 10          | Frost Plug              | 104022          | 3           |
| 11          | Frost Plug              | 104023          | 2           |
| 13          | Sleeve Mount            | 104025          | 1           |

# CYLINDER HEAD & COVER

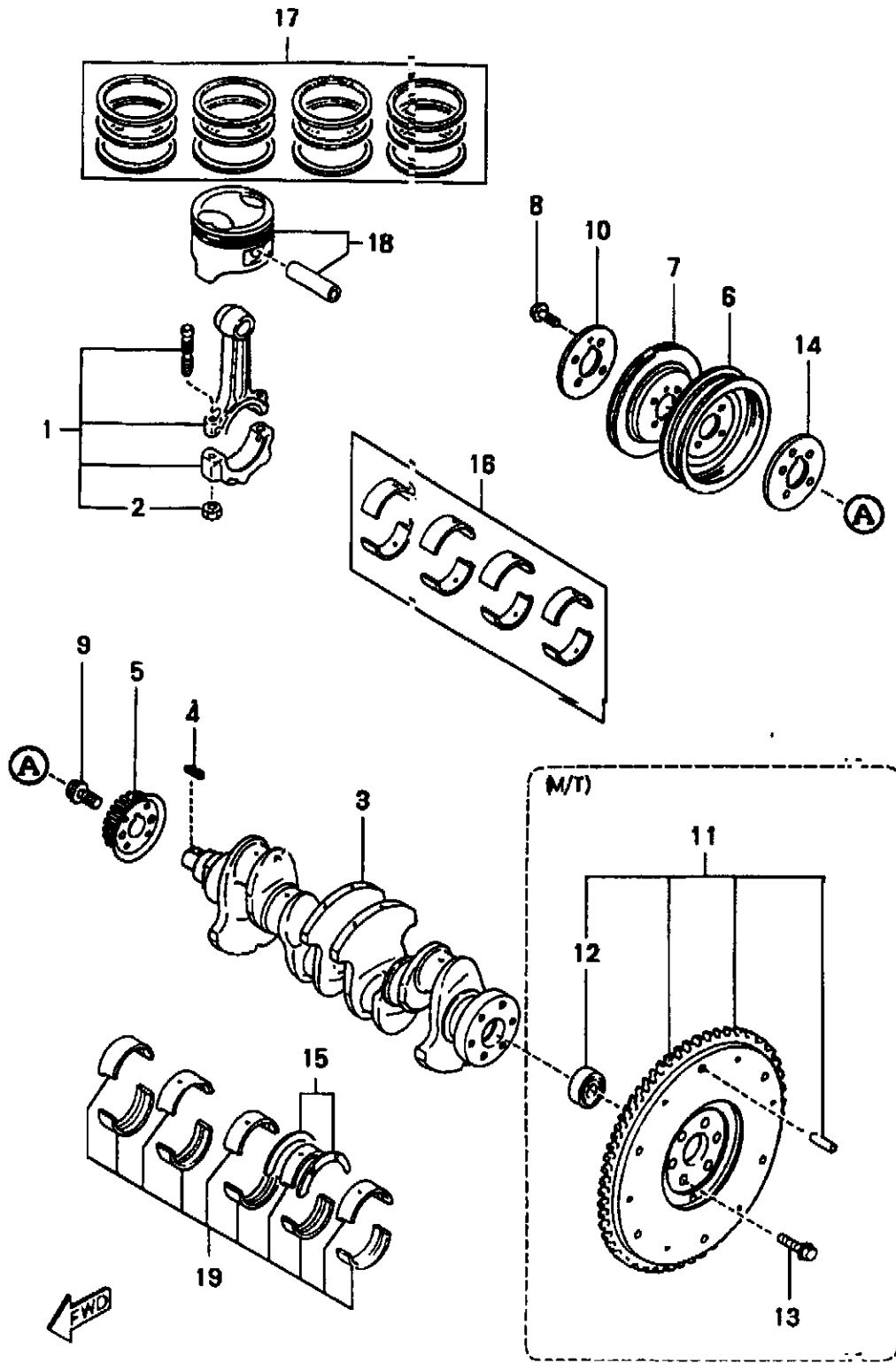


## CYLINDER HEAD & COVER

---

| REF. | PART NAME                           | PART NO. | QTY |
|------|-------------------------------------|----------|-----|
| 1    | Head Assembly-Cylinder              | 104026   | 1   |
| 2    | Clip Valve Guide                    | 104027   | 8   |
| 3    | Bolt-Cylinder Head                  | 104028   | 10  |
| 4    | Washer-Head Bolt                    | 104029   | 10  |
| 5    | Cover Compt Head                    | 104030   | 1   |
| 6    | Plate Baffle A-                     | 104031   | 1   |
| 7    | Plate Baffle B-                     | 104032   | 2   |
| 8    | Plate, Oil Separator                | 104033   | 1   |
| 9    | Protector-H.T.Cord                  | 104034   | 20  |
| 10   | Gasket-Head Cover                   | 104035   | 1   |
| 11   | Cap Assembly-Oil Filler             | 104036   | 1   |
| 12   | Gasket-Oil Cap                      | 104037   | 1   |
| 13   | Gasket-Cylinder Head                | 104038   | 1   |
| 14   | Hanger-Engine, F                    | 104039   | 1   |
| 15   | Hanger-Engine, R                    | 104040   | 1   |
| 16   | Rubber Seal                         |          | 1   |
| 17   | Hose-Ventilation <i>(on engine)</i> | 103013   | 1   |
| 18   | Valve-P,C.V.                        | 104041   | 1   |
| 19   | Protector-H.T.Cord                  | 104042   | 1   |
| 20   | Hose-Ventilation <i>(on engine)</i> | 103014   | 1   |
| 21   | Bracket, Assembly, Coupler          | 104043   | 1   |

# PISTON, CRANKSHAFT & FLYWHEEL

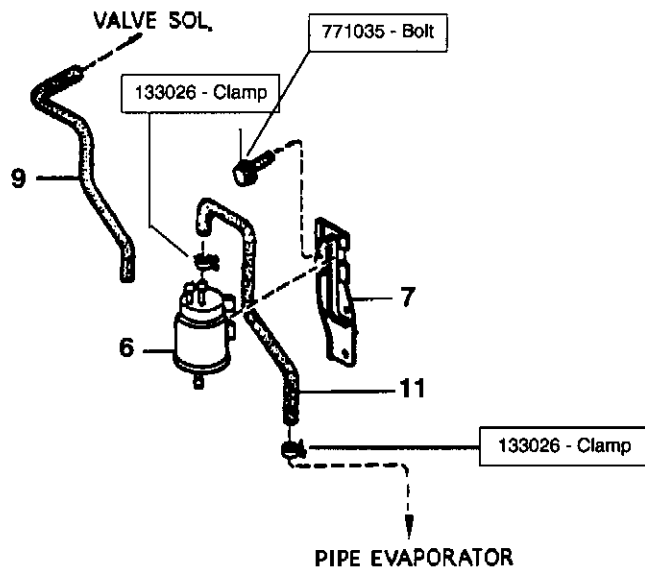
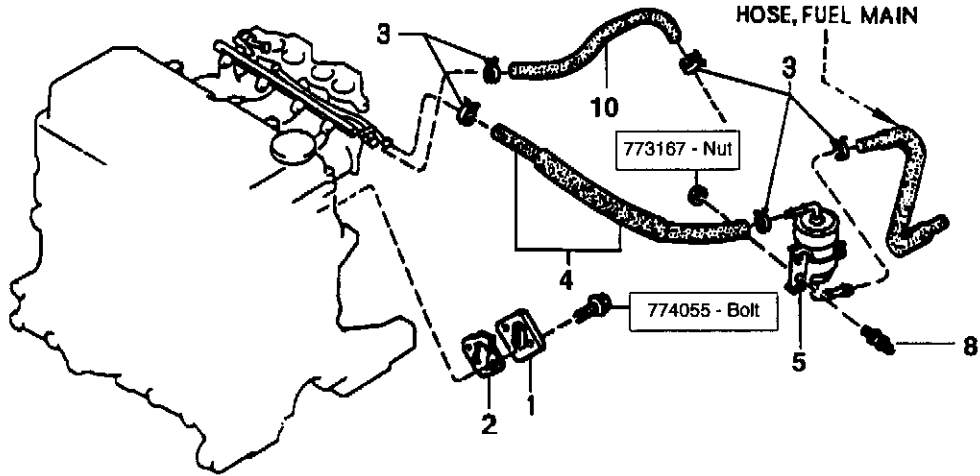


## PISTON, CRANKSHAFT & FLYWHEEL

---

| <i>REF.</i> | <i>PART NAME</i>        | <i>PART NO.</i> | <i>QTY</i> |
|-------------|-------------------------|-----------------|------------|
| 1           | Rod Assembly-Connecting | 114000          | 4          |
| 2           | Nut-Connecting Rod Cap  | 114001          | 8          |
| 3           | Crankshaft              | 114002          | 1          |
| 4           | Key-Crankshaft          | 114003          | 1          |
| 5           | Pulley-T.Belt           | 114004          | 1          |
| 6           | Pulley, C. Shaft        | 114005          | 1          |
| 7           | Pulley, C. Shaft        | 114006          | 1          |
| 8           | Bolt                    | 114007          | 4          |
| 9           | Bolt-Pulley Lock        | 114008          | 1          |
| 10          | Plate                   | 114009          | 1          |
| 11          | Flywheel Assembly       | 114010          | 1          |
| 12          | Bearing-Pilot           | 114011          | 1          |
| 13          | Bolt-Flywheel Lock      | 114012          | 6          |
| 14          | Pulley Assembly C.S.    | 114013          | 1          |
| 15          | Metal Set-Thrust        | 114014          | 1          |
| 16          | Metal Set- Conrod       | 114015          | 1          |
| 17          | Ring Set-Piston         | 114016          | 1          |

# FUEL SYSTEM

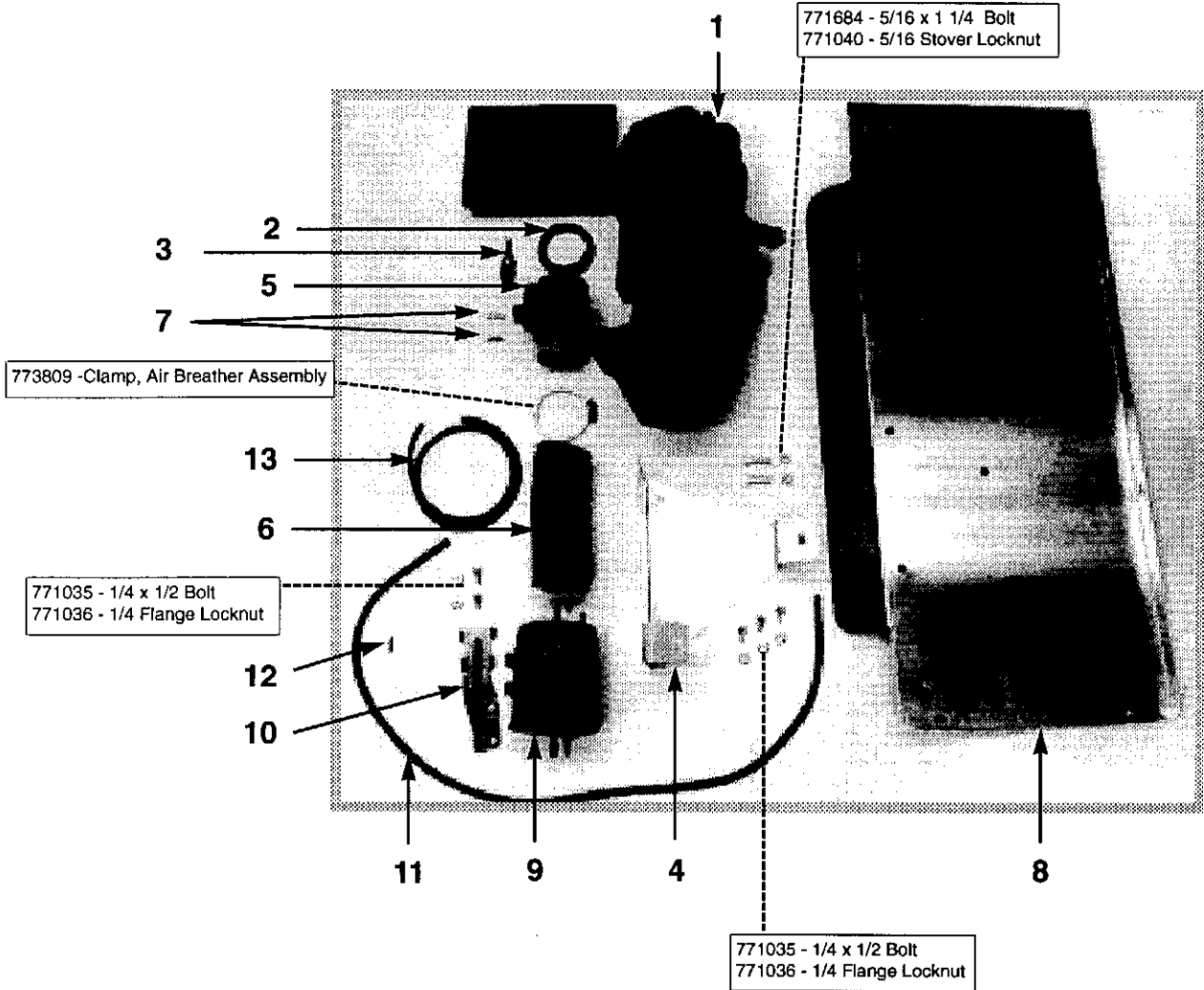
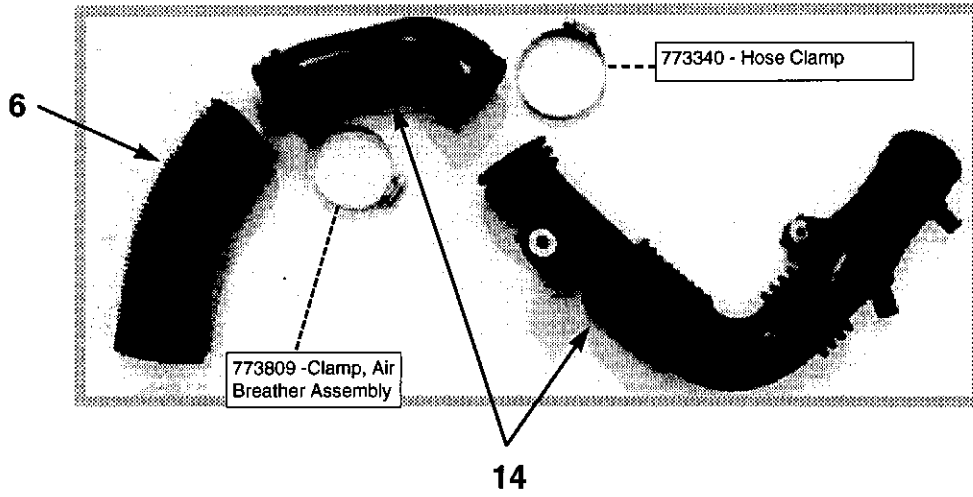


## FUEL SYSTEM

---

| <i>REF.</i> | <i>PART NAME</i>       | <i>PART NO.</i> | <i>QTY</i> |
|-------------|------------------------|-----------------|------------|
| 1           | Cover-Blind            | 124009          | 1          |
| 2           | Gasket-Fuel Pump       | 134008          | 1          |
| 3           | Clip                   | 133015          | 1          |
| 4           | Hose Assembly-Fuel EGI | 133826          | 1          |
| 5           | Filter. Assembly-Fuel  | 133016          | 1          |
| 6           | Canister               | 133017          | 1          |
| 7           | Bracket-Canister       | 133018          | 1          |
| 8           | Rubber-Mounting        | 133026          | 2          |
| 9           | Tube-Vacuum, Canister  | 134006          | 1          |
| 10          | Fuel Return Hose       | 421732          | 1          |
| 11          | Fuel Vapour Line       | 133827          | 1          |

# AIR CLEANER



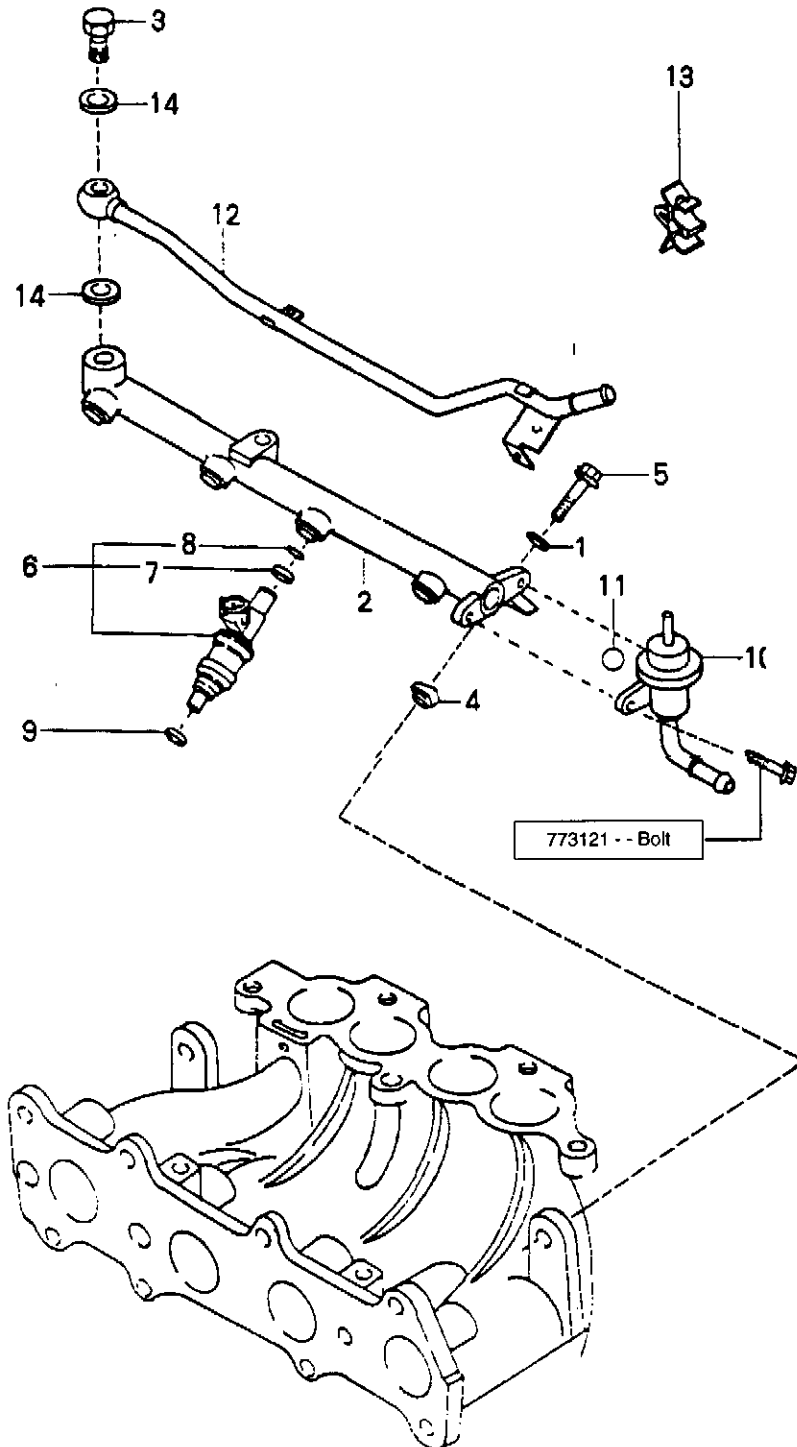


## AIR CLEANER

---

| <i>REF.</i> | <i>PART NAME</i>         | <i>PART NO.</i> | <i>QTY</i> |
|-------------|--------------------------|-----------------|------------|
| 1           | Cleaner-Air              | 133020          | 1          |
| 2           | Rubber Joint             | 133265          | 1          |
| 3           | Sensor-Air Flow          | 133348          |            |
| 4           | Mount-Air Intake         | 133558          | 1          |
| 5           | Sensor-Air Temperature   | 133632          | 1          |
| 6           | Air Intake Hose          | 133753          | 1          |
| 7           | Bolt-Air Vane            | 133803          | 2          |
| 8           | Panel-Floor Extension    | 534001          | 1          |
| 9           | Canister                 | 133017          | 1          |
| 10          | Canister Bracket         | 133018          | 1          |
| 11          | Canister HoseEngine      | 134006          | 1          |
| 12          | 1/8 Vacuum Connector     | 423732          | 1          |
| 13          | Hose-Air                 | 133028          | 1          |
| 14          | Pipe Assembly-Air Intake | 133023          | 1          |

# FUEL DISTRIBUTOR

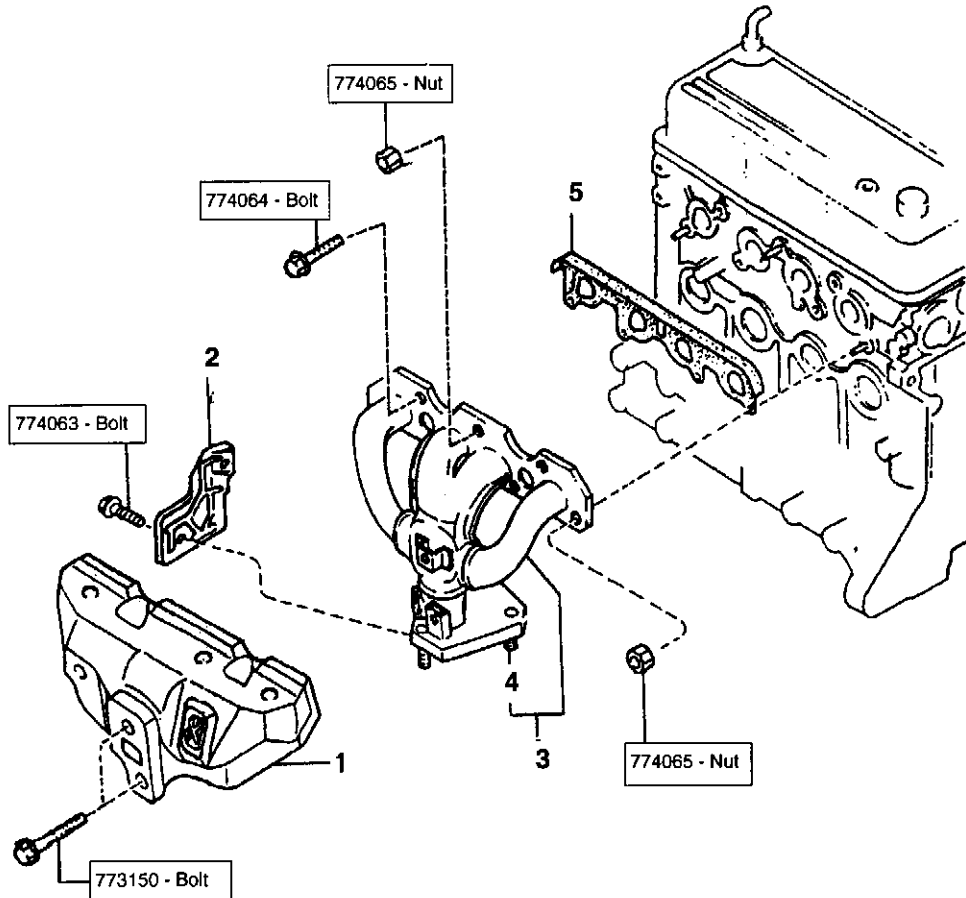


## FUEL DISTRIBUTOR

---

| <i>REF.</i> | <i>PART NAME</i>            | <i>PART NO.</i> | <i>QTY</i> |
|-------------|-----------------------------|-----------------|------------|
| 1           | Insulator-Fuel Distributor  | 134010          | 2          |
| 2           | Dist.-Fuel                  | 134011          | 1          |
| 3           | Bolt-Fuel Connector         | 134012          | 1          |
| 4           | Insulator-Fuel Distribution | 134013          | 2          |
| 5           | Bolt-Fuel Dis.              | 134014          | 2          |
| 6           | Injector-Fuel               | 134015          | 4          |
| 7           | Grommet                     | 134016          | 4          |
| 8           | Ring                        | 134017          | 4          |
| 9           | Insulator-Injection         | 134018          | 4          |
| 10          | Pressure Ring-Fuel          | 134019          | 1          |
| 11          | Ring-O                      | 134020          | 1          |
| 12          | Pipe Assembly-Fuel          | 134021          | 1          |
| 13          | Clamp-Hose                  | 134022          | 2          |
| 14          | Packing, Fuel               | 134023          | 2          |

# EXHAUST MANIFOLD

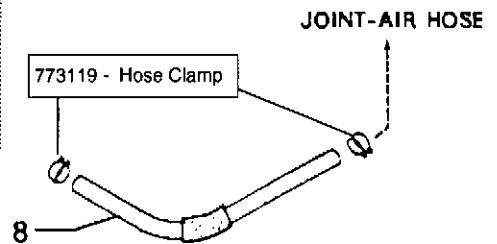
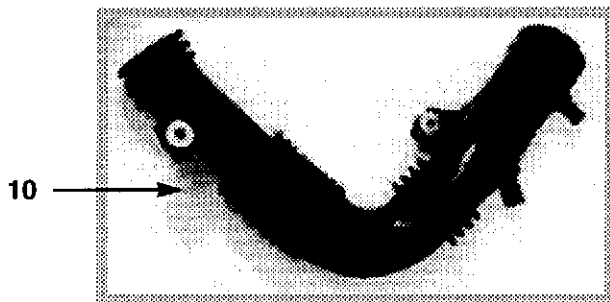
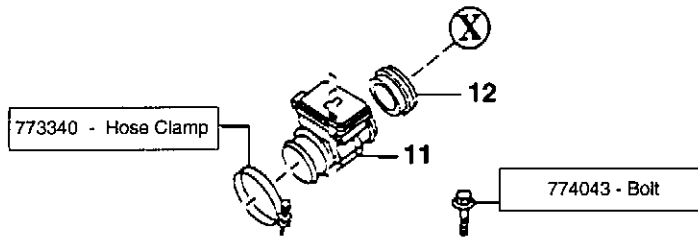
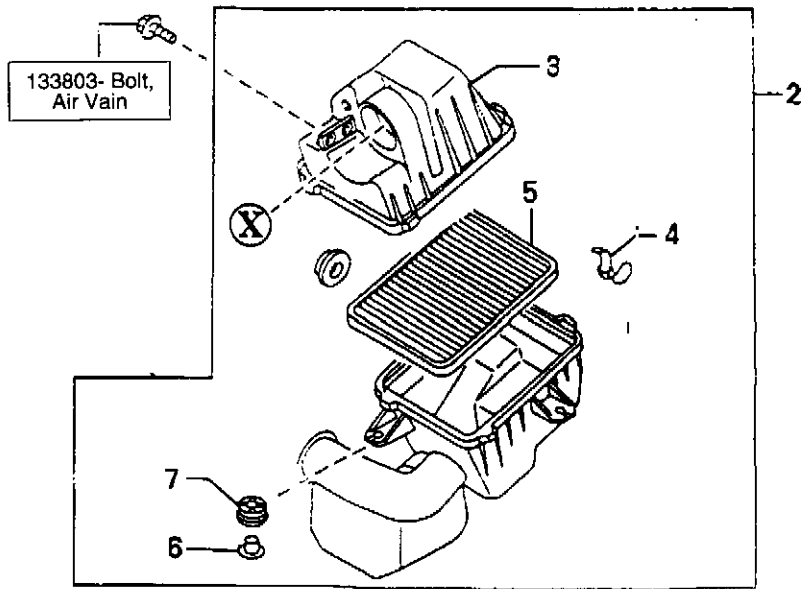


## EXHAUST MANIFOLD

---

| <i>REF.</i> | <i>PART NAME</i>                 | <i>PART NO.</i> | <i>Q'TY</i> |
|-------------|----------------------------------|-----------------|-------------|
| 1           | Insulator Assembly Exhaust       | 403149          | 1           |
| 2           | Insulator-Heat                   | 134031          | 1           |
| 3           | Manifold Assembly-Exhaust        | 134032          | 1           |
| 4           | Stud                             | 134033          | 3           |
| 5           | Gasket Assembly-Exhaust Manifold | 134034          | 1           |

# AIR CLEANER

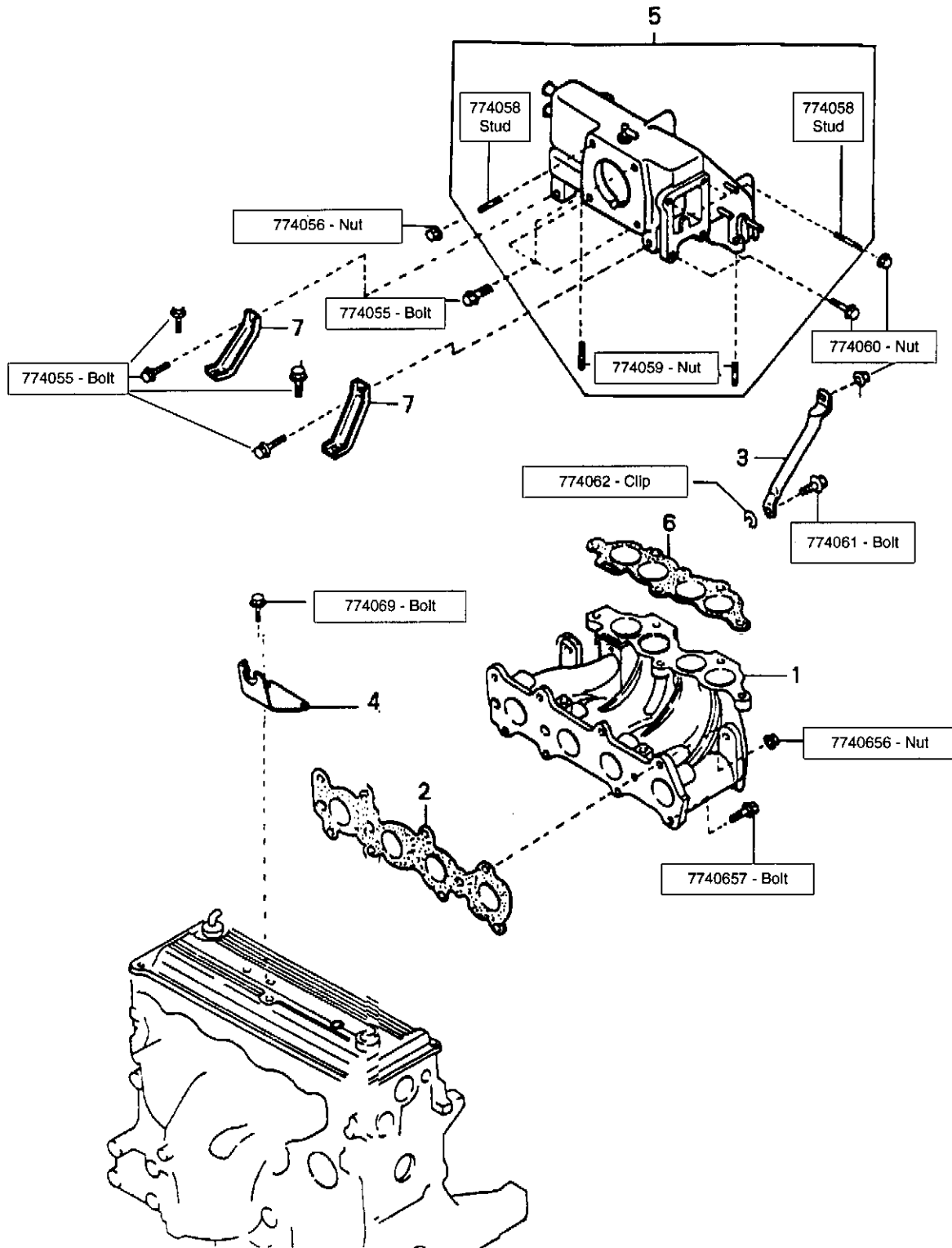


## AIR CLEANER

---

| <i>REF.</i> | <i>PART NAME</i>         | <i>PART NO.</i> | <i>QTY</i> |
|-------------|--------------------------|-----------------|------------|
| 2           | Cleaner-Air              | 133020          | 1          |
| 3           | Cover-Air Cleaner        | 134035          | 1          |
| 4           | Clip                     | 134036          | 4          |
| 5           | Element-Air Cleaner      | 134037          | 1          |
| 8           | Hose-Air                 | 133021          | 1          |
| 10          | Pipe Assembly-Air Intake | 133023          | 1          |
| 11          | Sensor-Air Flow          | 133348          | 1          |
| 12          | Joint-Rubber             | 133265          | 1          |

# INTAKE MANIFOLD



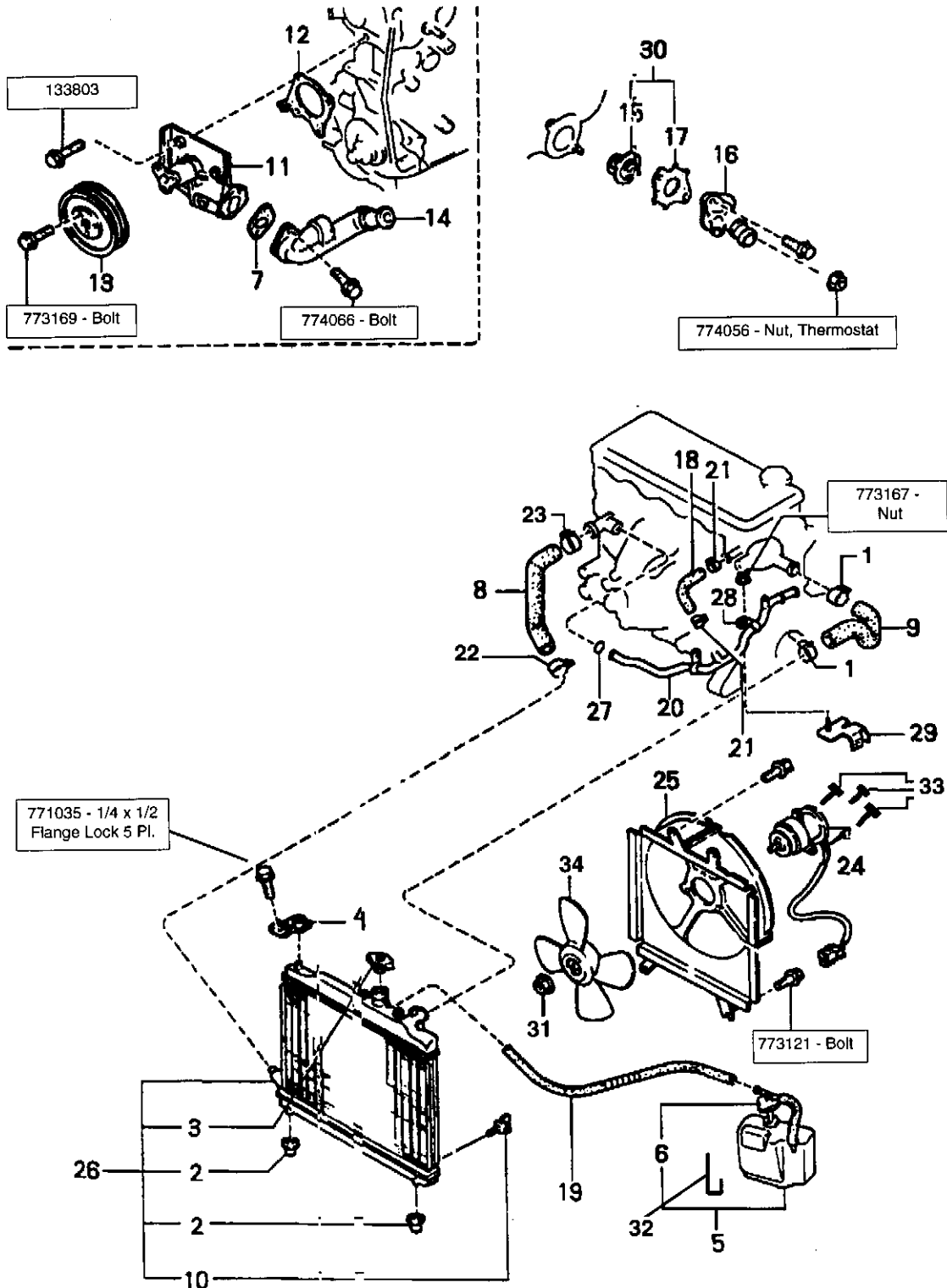


## INTAKE MANIFOLD

---

| <i>REF.</i> | <i>PART NAME</i>         | <i>PART NO.</i> | <i>QTY</i> |
|-------------|--------------------------|-----------------|------------|
| 1           | Manifold Assembly-Intake | 134024          | 1          |
| 2           | Gasket-Intake Manifold   | 134025          | 1          |
| 3           | Stay-Intake Manifold     | 134026          | 1          |
| 4           | Bracket-Acc. Wire        | 134027          | 1          |
| 5           | Tank Assembly-Surge      | 134028          | 1          |
| 6           | Gasket-Surge Tank        | 134029          | 1          |
| 7           | Bracket-Surge Tank       | 134030          | 2          |

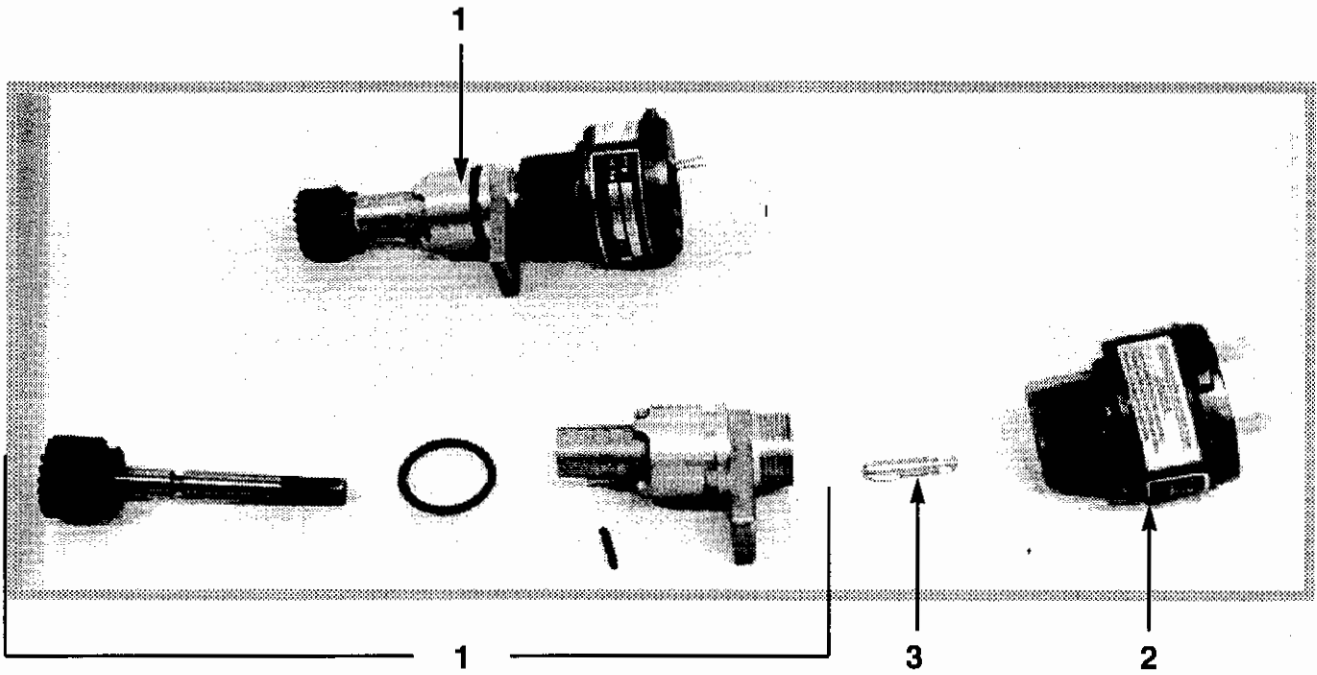
# COOLING SYSTEM



## COOLING SYSTEM

| <i>REF.</i> | <i>PART NAME</i>                 | <i>PART NO.</i> | <i>QTY</i> |
|-------------|----------------------------------|-----------------|------------|
| 1           | Clamp-Hose Water                 | 153704          | 2          |
| 2           | Rubber -Mount                    | 154003          | 2          |
| 3           | Cap-Radiator                     | 154004          | 1          |
| 4           | Bracket Assembly-Radiator, Upper | 153798          | 2          |
| 5           | Tank Assembly-Sub                | 153031          | 1          |
| 6           | Cap-Sub Tank                     | 154005          | 1          |
| 7           | Gasket-Inlet Water Pump          | 154006          | 1          |
| 8           | Hose-Water, Lower                | 153032          | 1          |
| 9           | Hose-Water, Upper                | 153347          | 1          |
| 10          | Cock-Water Drain                 | 154007          | 1          |
| 11          | Water Pump                       | 154008          | 1          |
| 12          | Gasket Water Pump                | 154009          | 1          |
| 13          | Pulley Water Pump                | 154010          | 1          |
| 14          | Inlet Water Pump                 | 154011          | 1          |
| 15          | Thermostat                       | 154012          | 1          |
| 16          | Cover-Thermostat                 | 154013          | 1          |
| 17          | Gasket-Thermostat                | 154014          | 1          |
| 18          | Hose-Bypass, Thermostat          | 154015          | 1          |
| 19          | Hose-Sub Tank                    | 154001          | 1          |
| 20          | Piper Assembly-Bypass            | 154016          | 1          |
| 21          | Clip-Hose                        | 133015          | 2          |
| 22          | Clamp                            | 153702          | 1          |
| 23          | Clamp                            | 153029          | 1          |
| 24          | Motor-Drive Fan                  | 153346          | 1          |
| 25          | Cowling-Radiator                 | 153036          | 1          |
| 26          | Radiator                         | 153035          | 1          |
| 27          | O-Ring                           | 154017          | 1          |
| 28          | Clip                             | 154018          | 1          |
| 29          | Bracket Assembly-Air P.Pc.       | 154019          | 1          |
| 30          | Thermostat Set                   | 154020          | 1          |
| 31          | Nut-Fan Blade                    | 153708          | 1          |
| 32          | Mount-Sub Tank                   | 153706          | 1          |
| 33          | Screw-Fan Cooling                | 153350          | 3          |
| 34          | Fan-Cooling                      | 153345          | 1          |

# TRANSMISSION

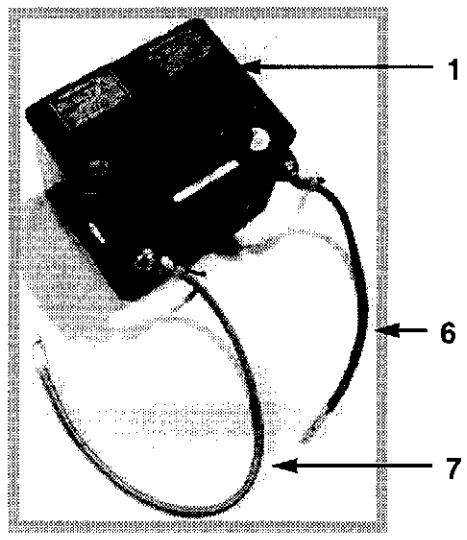
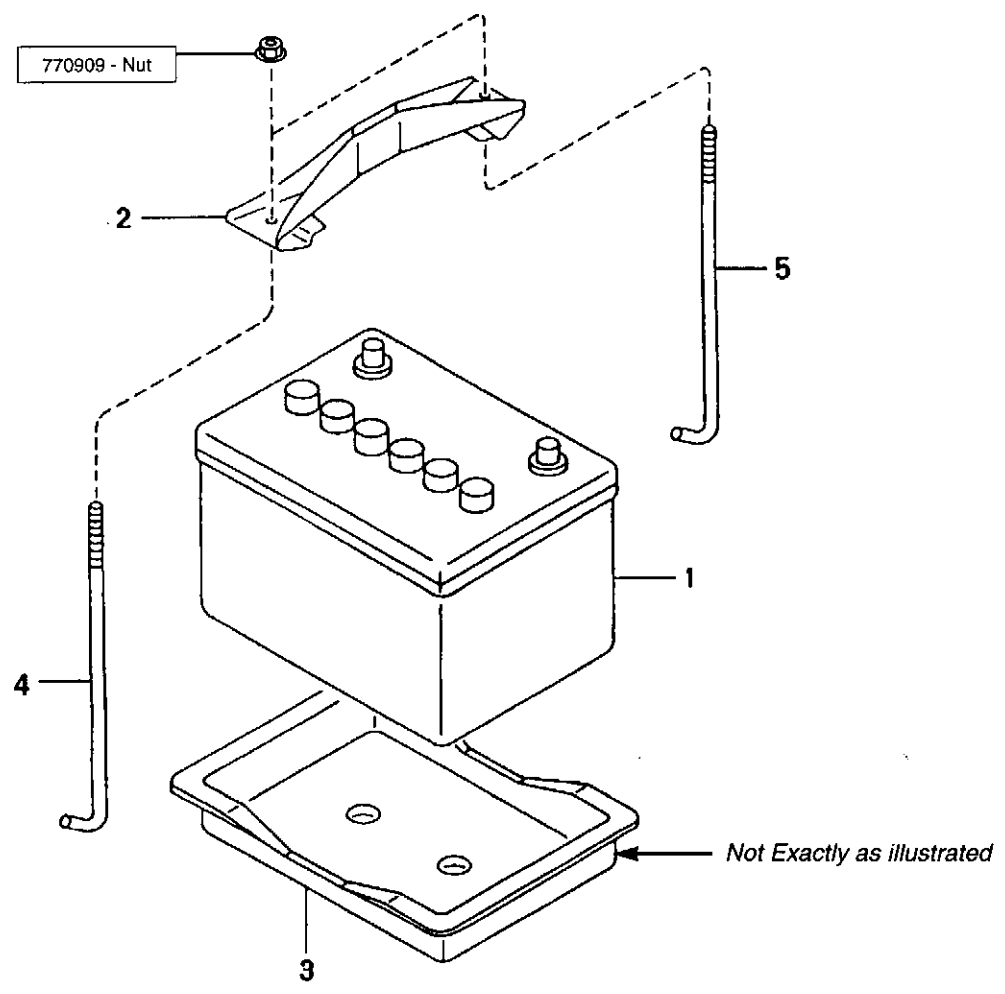


# TRANSMISSION

---

| <i>REF.</i> | <i>PART NAME</i>       | <i>PART NO.</i> | <i>Q'TY</i> |
|-------------|------------------------|-----------------|-------------|
| 1           | Speedo Gear Assembly   | 179001          | 1           |
| 2           | Speed Signal Generator | 170004          | 1           |
| 3           | Drive Pin              | 171413          | 1           |

# BATTERY

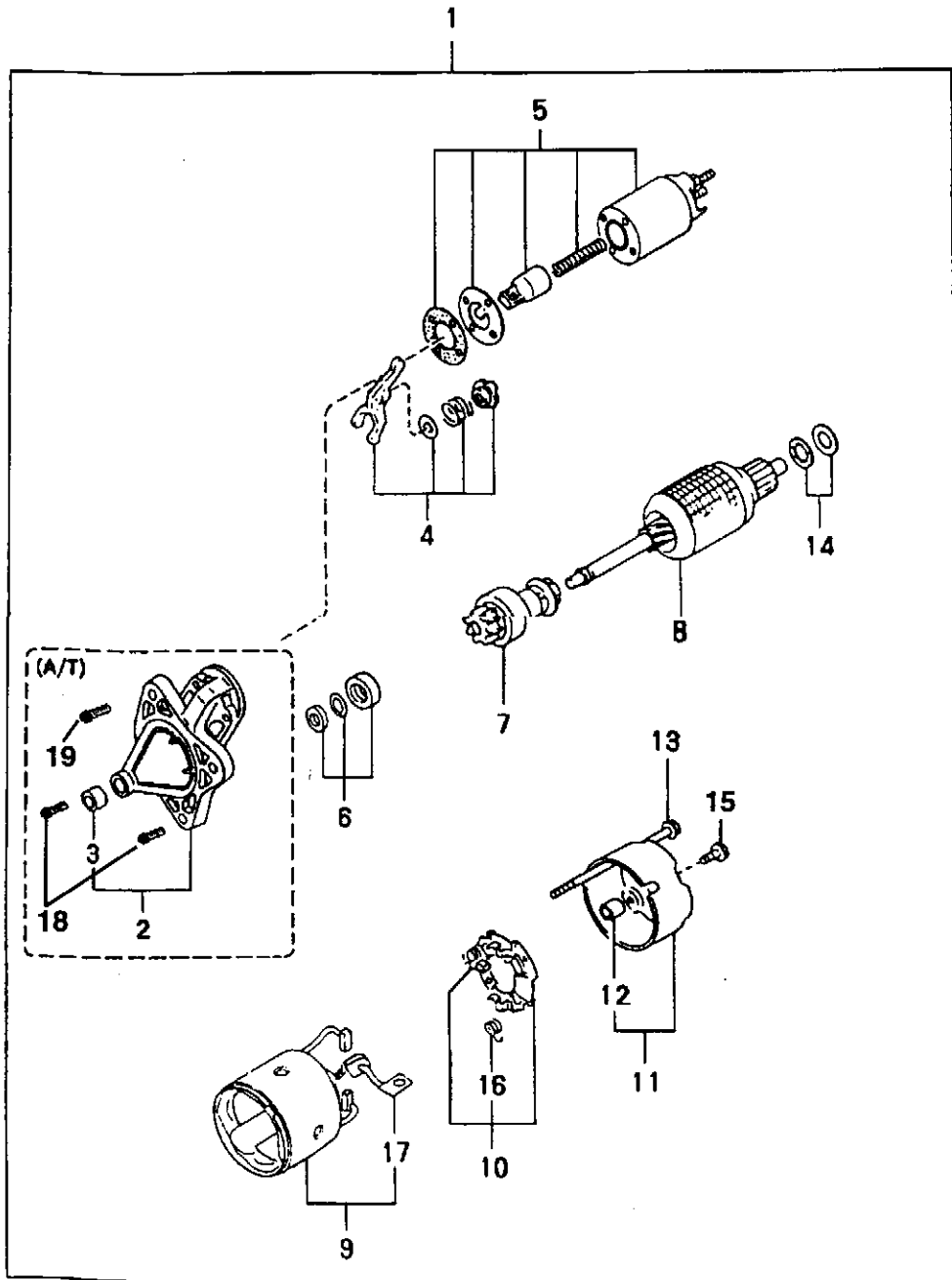


## BATTERY

---

| <i>REF.</i> | <i>PART NAME</i>                            | <i>PART NO.</i> | <i>QTY</i> |
|-------------|---------------------------------------------|-----------------|------------|
| 1           | Battery-550 CCA                             | 182863          | 1          |
| 2           | Clamp-Battery                               | 181671/184003   | 1          |
| 3           | Tray-Batttery <i>(not exactly as shown)</i> | 183799          | 1          |
| 4           | Bolt-Clamp                                  | 183043          |            |
| 5           | Bolt-Clamp                                  | 183044          | 1          |
| 6           | Negative Battery Cable                      | 181409          | 1          |
| 7           | Positive Battery Cable                      | 183728          | 1          |

# STARTER



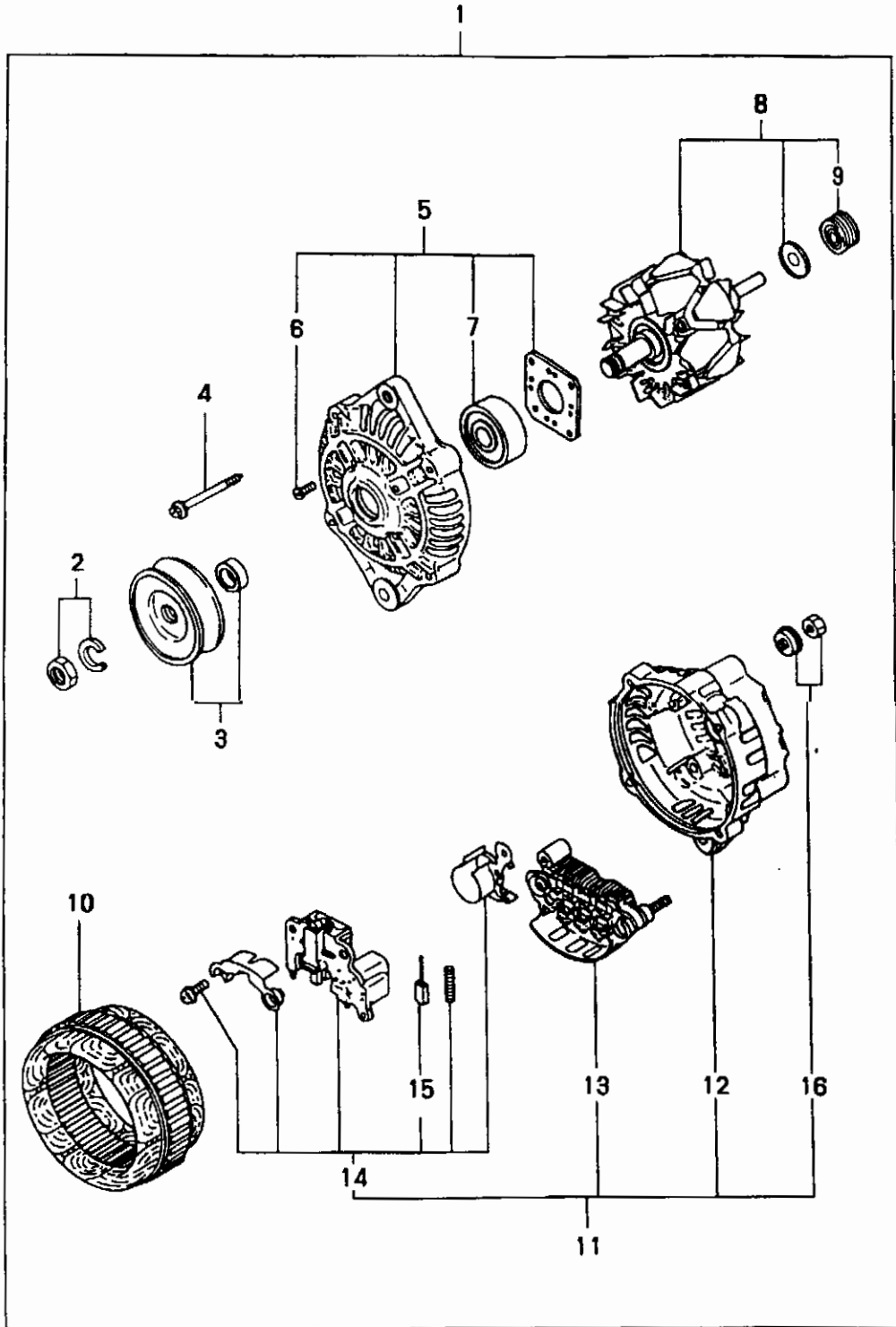


## STARTER

---

| <i>REF.</i> | <i>PART NAME</i>       | <i>PART NO.</i> | <i>QTY</i> |
|-------------|------------------------|-----------------|------------|
| 1           | Starter                | 183041          | 1          |
| 2           | Front Bracket Assembly | 184006          | 1          |
| 3           | Bearing-F.             | 184007          | 1          |
| 4           | Lever Set              | 184008          | 1          |
| 5           | Switch Assembly        | 184009          | 1          |
| 6           | Stopper Set            | 184010          | 1          |
| 7           | Clutch-Over Running    | 184011          | 1          |
| 8           | Armature Assembly      | 184012          | 1          |
| 9           | Yoke Assembly          | 184013          | 1          |
| 10          | Brush Holder Assembly  | 184014          | 1          |
| 11          | Bracket Assembly-R.    | 184015          | 1          |
| 12          | Bearing-R.             | 184016          | 1          |
| 13          | Bolt Through           | 184017          | 1          |
| 14          | Washer                 | 184018          | 1          |
| 15          | Screw                  | 184019          | 1          |
| 16          | Spring-Bushing         | 184020          | 3          |
| 17          | Brush                  | 184021          | 2          |
| 18          | Bolt                   | 180410          | 2          |
| 19          | Bolt                   | 180411          | 1          |

# ALTERNATOR



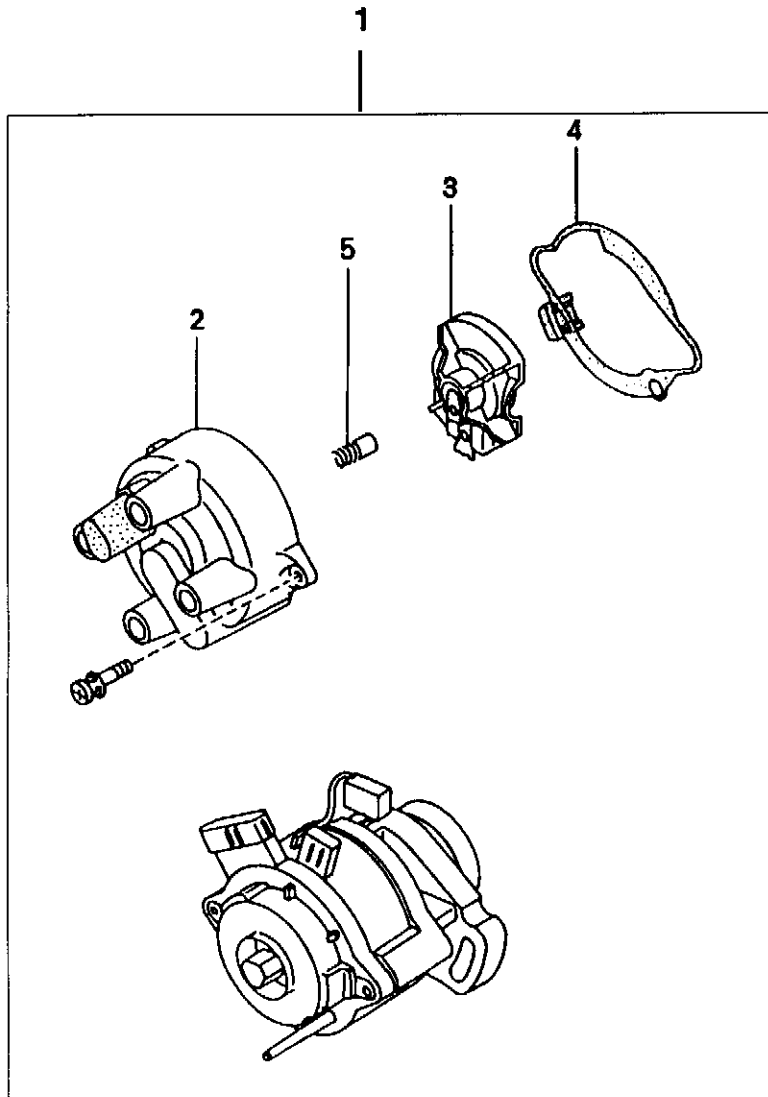
## ALTERNATOR

---

| <i>REF.</i> | <i>PART NAME</i>   | <i>PART NO.</i> | <i>Q'TY</i> |
|-------------|--------------------|-----------------|-------------|
| 1           | Alternator         | 184022          | 1           |
| 2           | Nut Set            | 184023          | 1           |
| 3           | Pulley Assembly    | 184024          | 1           |
| 4           | Screw Set          | 184025          | 1           |
| 5           | Cover, Assembly F. | 184026          | 1           |
| 6           | Screw Set          | 184027          | 1           |
| 7           | Bearing, F.        | 184028          | 1           |
| 8           | Rotor Assembly     | 184029          | 1           |
| 9           | Bearing, RR.       | 184030          | 1           |
| 10          | Stator Assembly    | 184031          | 1           |
| 11          | Cover Assembly R.  | 184032          | 1           |
| 12          | Cover Assembly     | 184033          | 1           |
| 13          | Rectifier Assembly | 184034          | 1           |
| 14          | Regulator Assembly | 184035          | 1           |
| 15          | Brush              | 184036          | 1           |
| 16          | Nut Set            | 184037          | 1           |

# DISTRIBUTOR

---

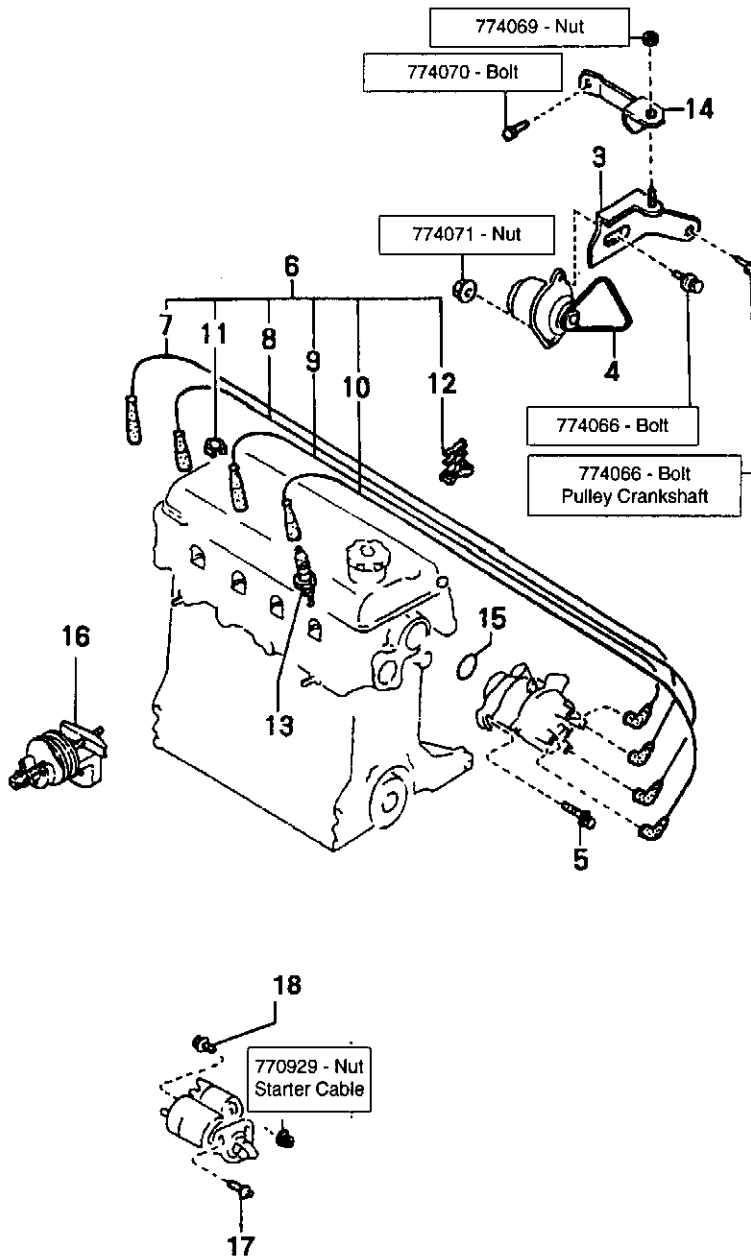


# DISTRIBUTOR

---

| <i>REF.</i> | <i>PART NAME</i>      | <i>PART NO.</i> | <i>Q'TY</i> |
|-------------|-----------------------|-----------------|-------------|
| 1           | Distributor           | 184000          | 1           |
| 2           | Cap Assembly          | 184038          | 1           |
| 3           | Rotor Assembly        | 184039          | 1           |
| 4           | Packing               | 184040          | 1           |
| 5           | Point Assembly-Carbon | 184041          | 1           |

# ENGINE ELECTRICAL SYSTEM



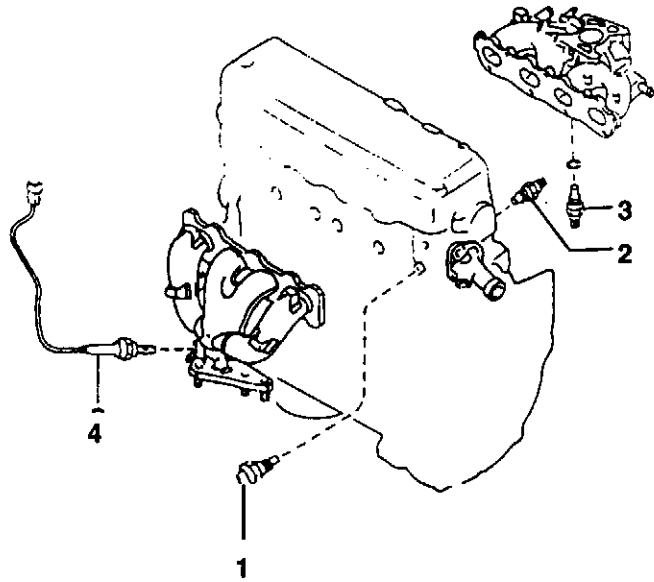
## ENGINE ELECTRICAL SYSTEM

---

| <i>REF.</i> | <i>PART NAME</i>          | <i>PART NO.</i> | <i>Q'TY</i> |
|-------------|---------------------------|-----------------|-------------|
| 1           | Bracket. Assembly-Starter | 183037          | 1           |
| 4           | Belt-V.Rubber             | 184044          | 1           |
| 5           | Bolt-Distributor          | 184045          | 2           |
| 6           | Cord Assembly-Ht.         | 184046          | 1           |
| 7           | Cord-Ht.,No.1             | 184047          | 1           |
| 8           | Cord-Ht.,No.2             | 184048          | 1           |
| 9           | Cord-Ht.,No.3             | 184049          | 1           |
| 10          | Cord-Ht.,No.4             | 184050          | 1           |
| 11          | Clip                      | 184051          | 1           |
| 12          | Supporter                 | 184052          | 1           |
| 13          | Spark Plug                | 184002          | 4           |
| 14          | Pipe Guide                | 184053          | 1           |
| 15          | Ring-O                    | 184054          | 1           |
| 16          | Heater Assembly-Block     | 184055          | 1           |
| 17          | Bolt-B Side Starter       | 180410          | 1           |
| 18          | Bolt-F Side Starter       | 180411          | 1           |

# SWITCHES & RELAYS (ENGINE)

---



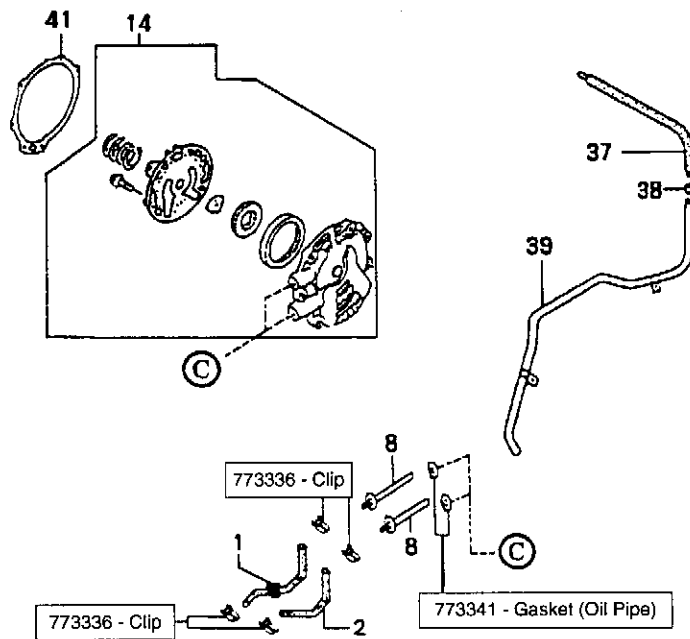
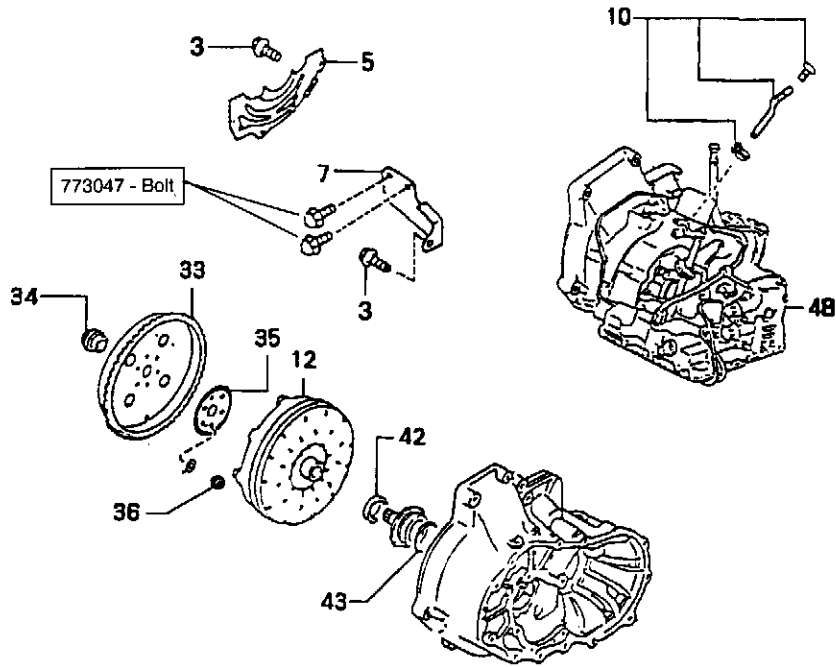


## SWITCHES & RELAYS (ENGINE)

---

| <i>REF.</i> | <i>PART NAME</i>         | <i>PART NO.</i> | <i>QTY</i> |
|-------------|--------------------------|-----------------|------------|
| 1           | Sender-Water Temperature | 181734          | 1          |
| 2           | Sender-Oil Pressure, SW  | 184056          | 1          |
| 3           | Senensor-W.Temperature   | 184057          | 1          |
| 4           | Sensor-Oxygen            | 184058          | 1          |

# TORQUE CONVERTER, OIL PUMP & RINGS

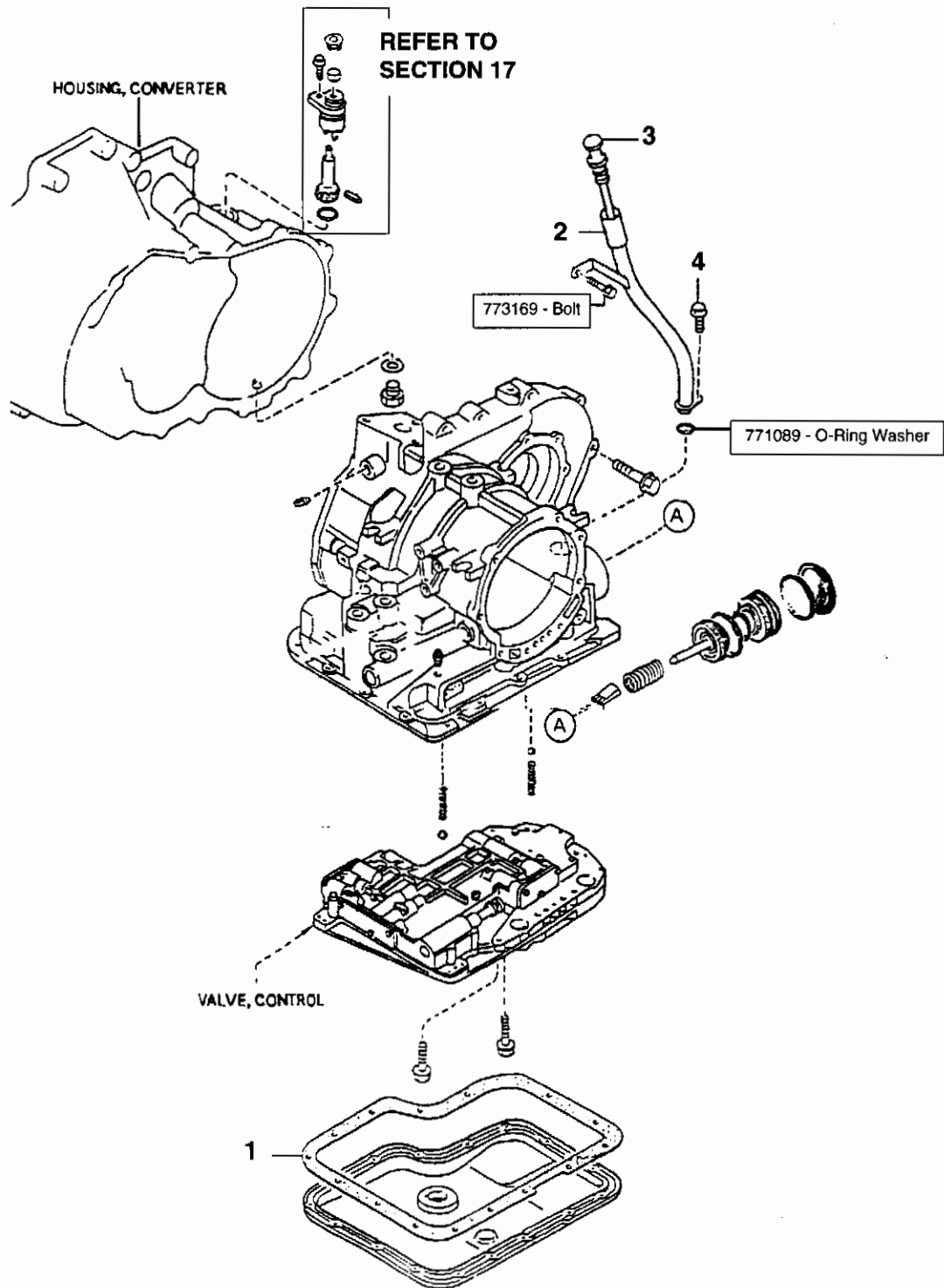


## TORQUE CONVERTER, OIL PUMP & RINGS

---

| <i>REF.</i> | <i>PART NAME</i>      | <i>PART NO.</i> | <i>QTY</i> |
|-------------|-----------------------|-----------------|------------|
| 1           | Hose Assembly-Oil     | 193045          | 1          |
| 2           | Hose Assembly-Oil     | 193046          | 1          |
| 3           | Bolt                  | 153699          | 1          |
| 5           | Cover Under           | 193048          | 1          |
| 7           | Plate Gusset-Front    | 190451          | 1          |
| 8           | Pipe Assembly-Oil     | 193050          | 2          |
| 10          | Breather Assembly     | 193052          | 1          |
| 12          | Torque Converter      | 194001          | 1          |
| 14          | Oil Pump              | 194002          | 1          |
| 33          | Drive Plate Assembly  | 194003          | 1          |
| 34          | Adaptor               | 194004          | 1          |
| 35          | Backing Plate         | 194005          | 1          |
| 36          | Nut                   | 194006          | 6          |
| 37          | Hose                  | 193344          | 1          |
| 38          | Insert                | 193343          | 1          |
| 39          | Pipe Assembly-Vacuum  | 193126          | 1          |
| 41          | Gasket-Oil Pump       | 194007          | 1          |
| 42          | Oil Seal              | 194008          | 1          |
| 43          | O-Ring                | 194009          | 1          |
| 48          | Transmission-Complete | 193057          | 1          |

# TRANSMISSION CASE & MAIN CONTROL SYSTEM

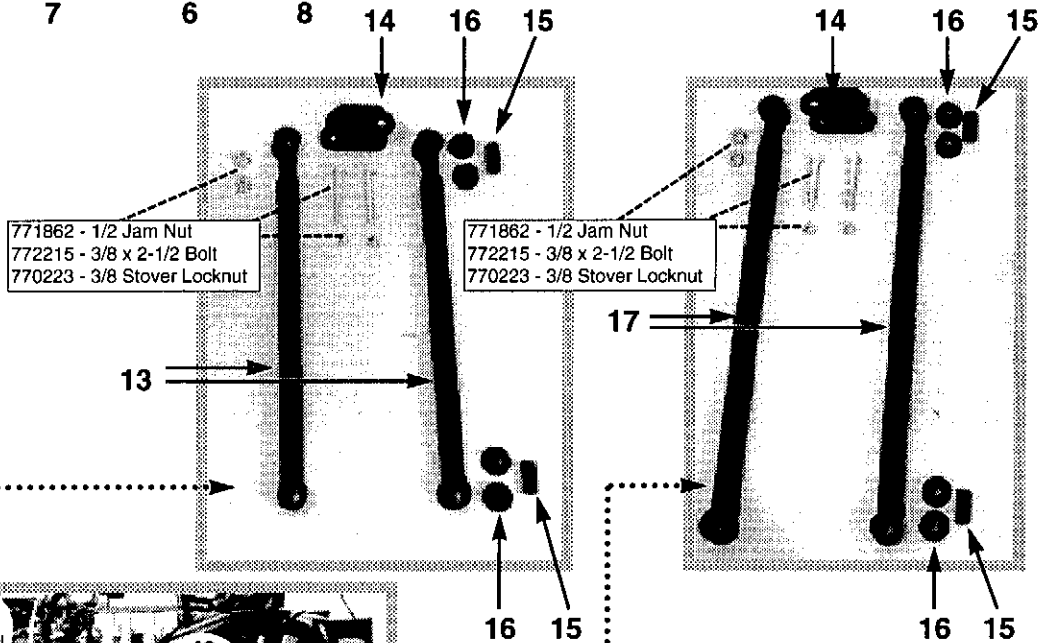
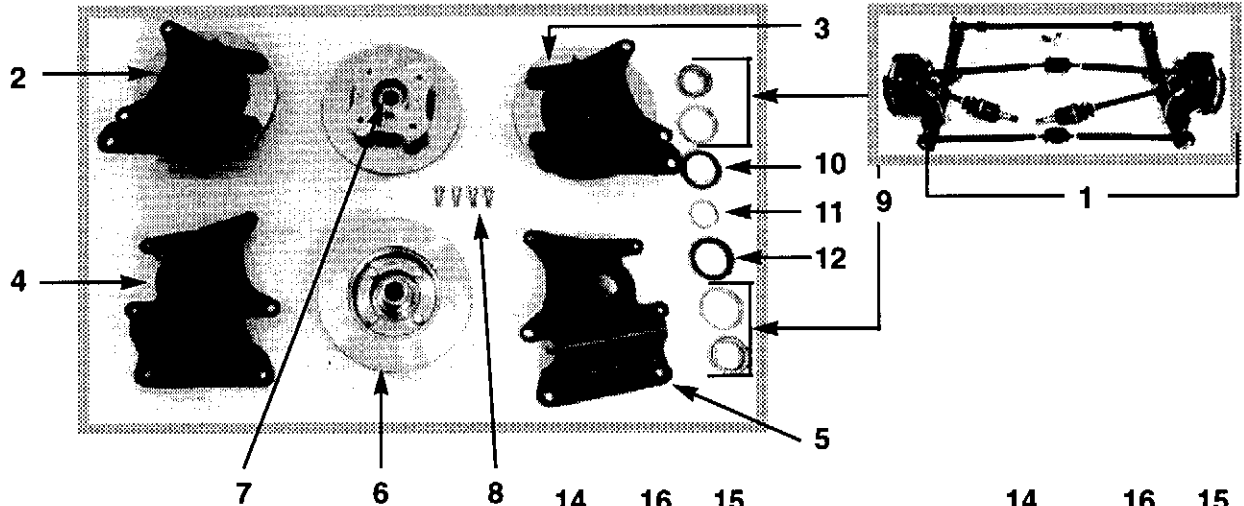


# TRANSMISSION CASE & MAIN CONTROL SYSTEM

---

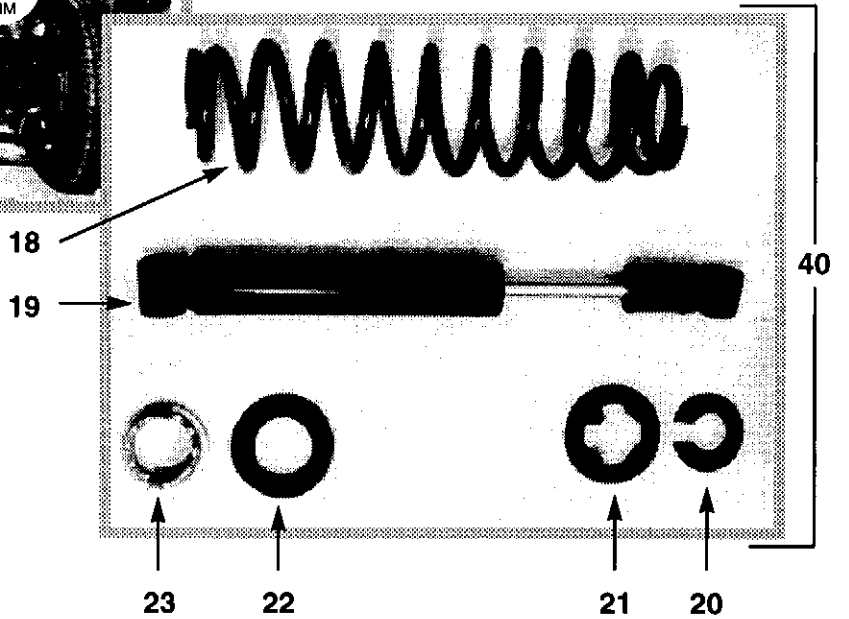
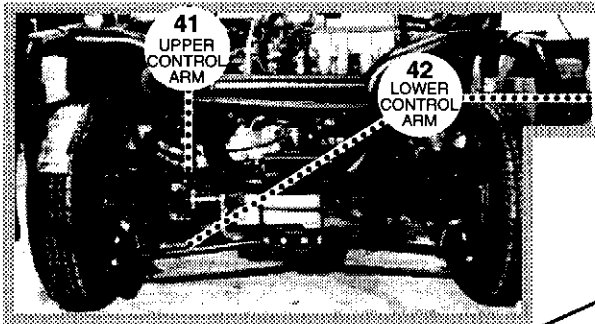
| <i>REF.</i> | <i>PART NAME</i>  | <i>PART NO.</i> | <i>Q'TY</i> |
|-------------|-------------------|-----------------|-------------|
| 1           | Gasket-Oil Pan    | 194000          | 1           |
| 2           | Tube Assembly-Oil | 193055          | 1           |
| 3           | Gage-Oil Level    | 193056          | 1           |
| 4           | Bolt              | 150204          | 1           |

# REAR SUSPENSION



771862 - 1/2 Jam Nut  
772215 - 3/8 x 2-1/2 Bolt  
770223 - 3/8 Stover Locknut

771862 - 1/2 Jam Nut  
772215 - 3/8 x 2-1/2 Bolt  
770223 - 3/8 Stover Locknut

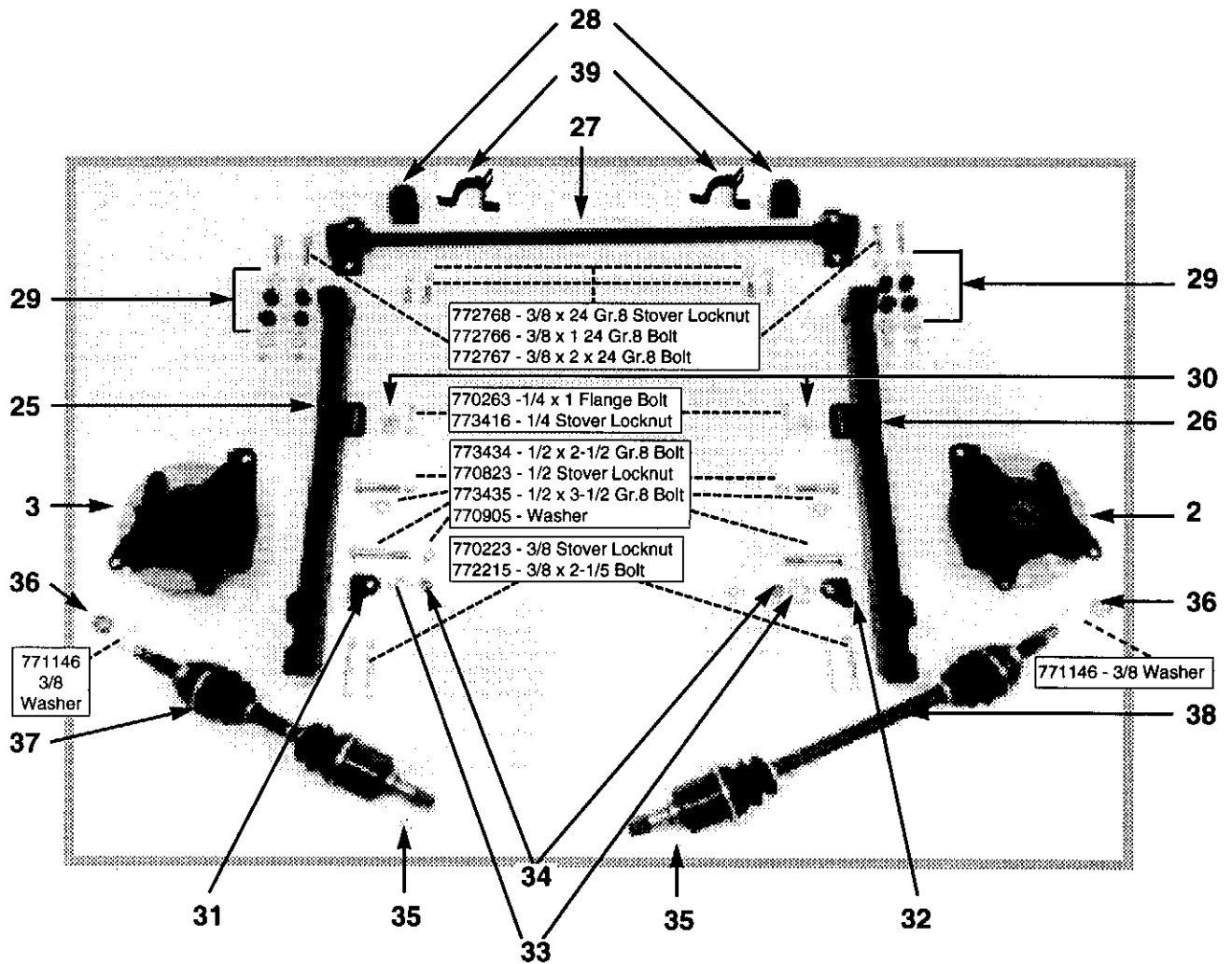
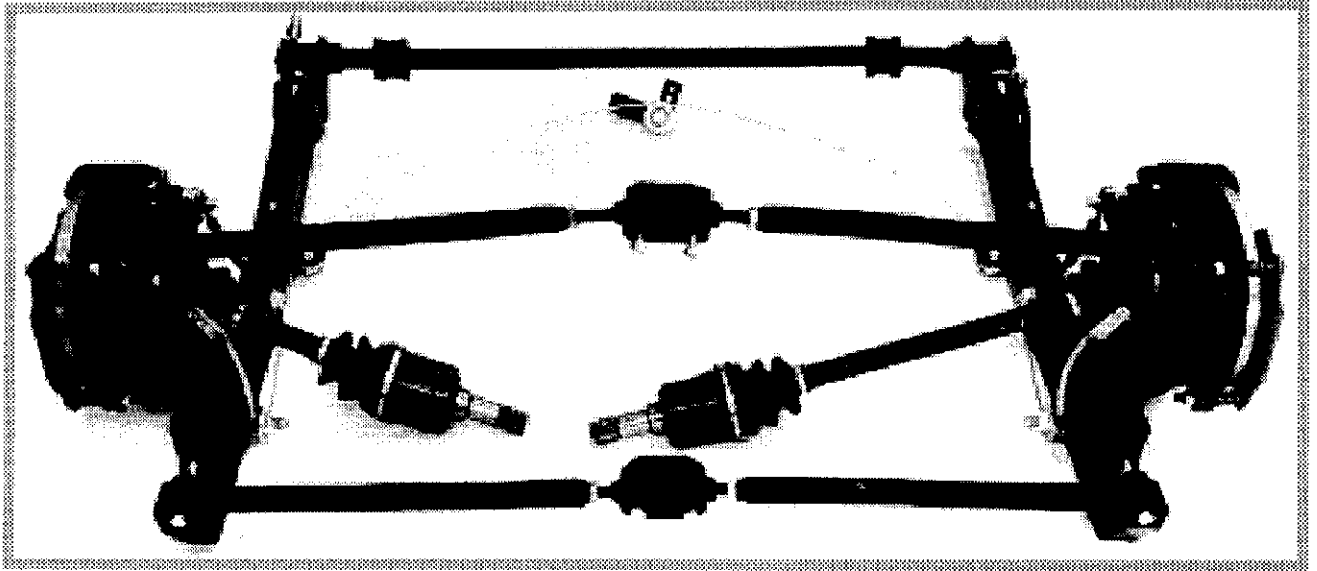


## REAR SUSPENSION

---

| <i>REF.</i> | <i>PART NAME</i>            | <i>PART NO.</i> | <i>QTY</i> |
|-------------|-----------------------------|-----------------|------------|
| 1           | Rear Suspension Assembly    | 289001          | 1          |
| 2           | Hub-LH Rear Assembly        | 289005          | 1          |
| 3           | Hub-RH Rear Assembly        | 289004          | 1          |
| 4           | LH Wheel Mount              | 283500          | 1          |
| 5           | RH Wheel Mount              | 283499          | 1          |
| 6           | Plate-Disc                  | 430756          | 2          |
| 7           | Hub-Drive Axle              | 280753          | 2          |
| 8           | Bolt-Brake Disc             | 430757          | 8          |
| 9           | Bearing-Drive Axle          | 280752          | 4          |
| 10          | Seal-Oil Outer              | 280755          | 2          |
| 11          | Seal-Oil Inner              | 280754          | 2          |
| 12          | Spacer-Bearing              | 280788          | 2          |
| 13          | Lower Control Arm           | 284005          | 2          |
| 14          | Centre Control Arm Mount    | 282784          | 2          |
| 15          | Inner Control Arm           | 282802          | 8          |
| 16          | Rubber Bushing, Control Arm | 282709          | 8          |
| 17          | Upper Control Arm           | 284006          | 2          |
| 18          | Coilover Spring             | 282274          | 2          |
| 19          | Shock Absorber              | 282177          | 2          |
| 20          | Retainer                    | 282179          | 2          |
| 21          | Upper Coil Spring Retainer  | 283258          | 2          |
| 22          | Coil Spring Retainer        | 282661          | 2          |
| 23          | Cam Sleeve                  | 282178          | 2          |

# REAR SUSPENSION





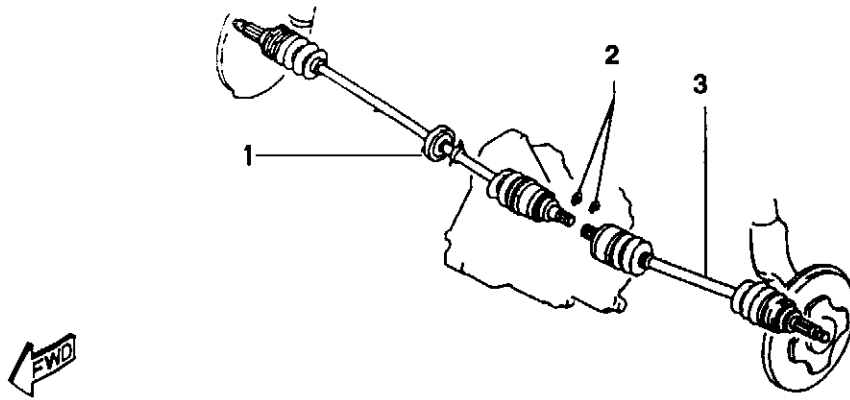
## REAR SUSPENSION

---

| <i>REF.</i> | <i>PART NAME</i>           | <i>PART NO.</i> | <i>QTY</i> |
|-------------|----------------------------|-----------------|------------|
| 25          | LH Suspension Arm          | 283882          | 1          |
| 26          | RH Suspension Arm          | 283883          | 1          |
| 27          | Torsion Bar                | 283599          | 1          |
| 28          | Rubber Torsion Bushing     | 282729          | 2          |
| 29          | Rubber Bushing Kit         | 282728          | 4          |
| 30          | Pulley                     | 583873          | 2          |
| 31          | LH Cable Bracket           | 442887          | 1          |
| 32          | RH Cable Bracket           | 442888          | 1          |
| 33          | Pulley-Emergency Brake     | 442868          | 2          |
| 34          | Bushing-Pulley             | 442867          | 2          |
| 35          | Clip                       | 250747          | 2          |
| 36          | Locknut with Washer        | 280751          | 2          |
| 37          | LH Drive Shaft             | 250745          | 1          |
| 38          | RH Drive Shaft             | 250744          | 1          |
| 39          | Clamp-Torsion Bar          | 283683          | 2          |
| 40          | Rear Shock Assembly        | 289000          | 2          |
| 41          | Upper Control Arm Assembly | 289002          | 2          |
| 42          | Lower Control Arm Assembly | 289003          | 2          |

# DRIVE SHAFTS

---

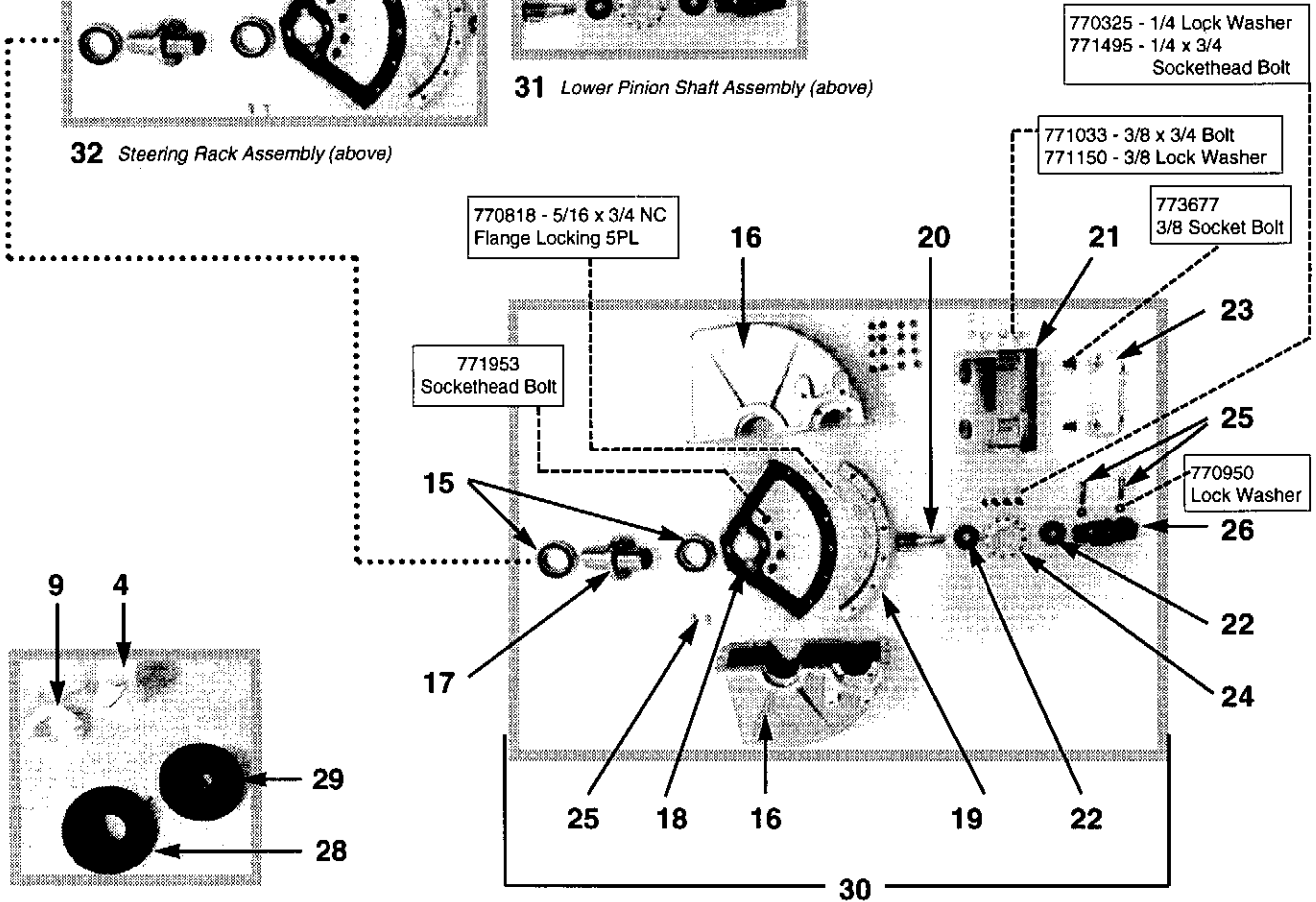
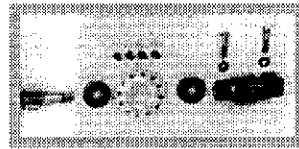
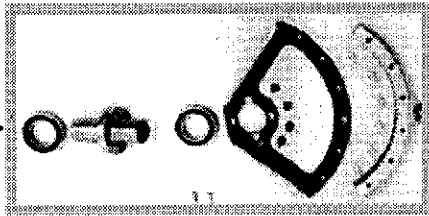
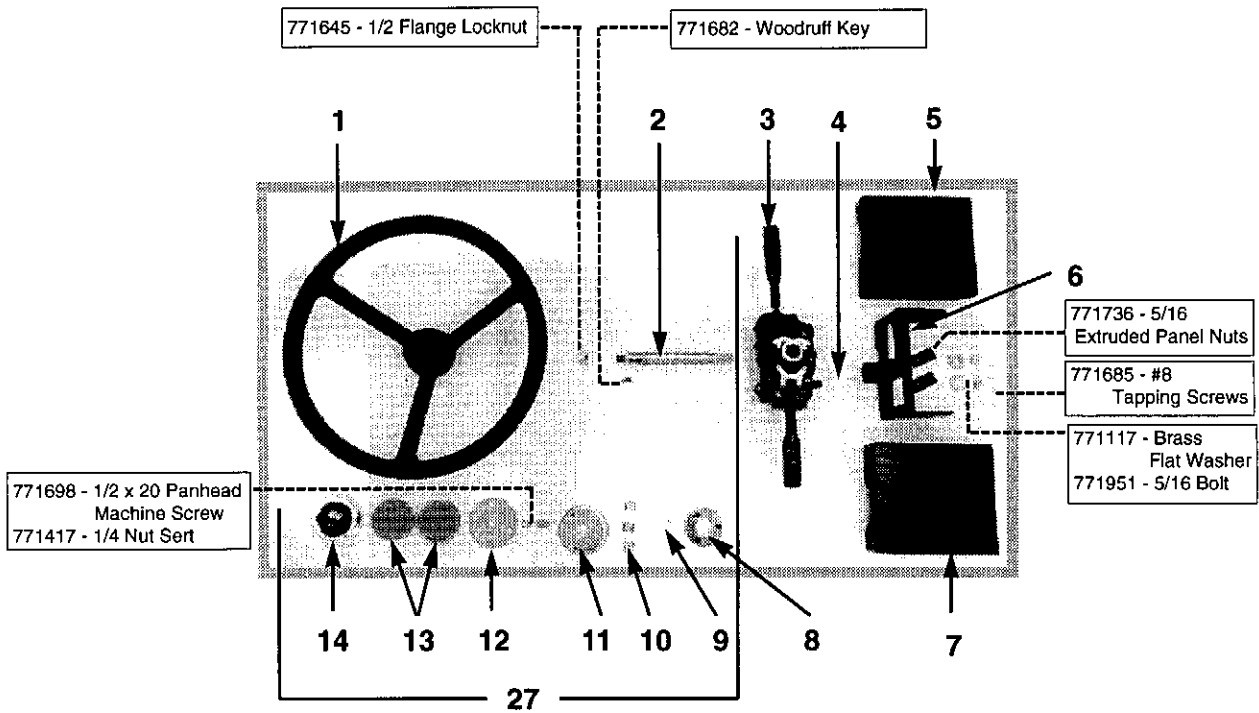


## DRIVE SHAFTS

---

| <i>REF.</i> | <i>PART NAME</i> | <i>PART NO.</i> | <i>QTY</i> |
|-------------|------------------|-----------------|------------|
| 1           | Shaft RH Drive   | 250744          | 1          |
| 2           | Clip             | 250747          | 2          |
| 3           | Shaft LH Drive   | 250745          | 1          |

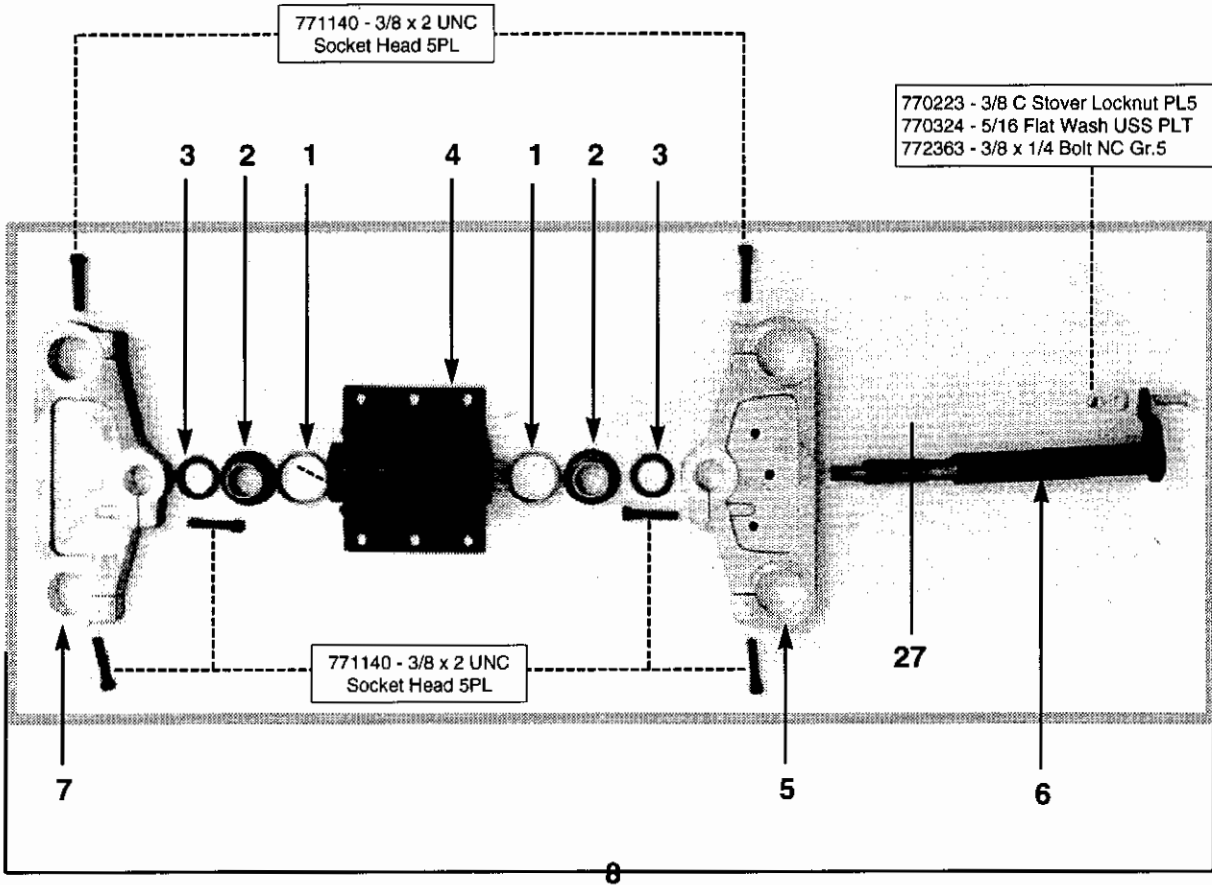
# STEERING



## STEERING

| <i>REF.</i> | <i>PART NAME</i>              | <i>PART NO.</i> | <i>Q'TY</i> |
|-------------|-------------------------------|-----------------|-------------|
| 1           | Steering Wheel                | 322702          | 1           |
| 2           | Upper Steering Shaft          | 322654          | 1           |
| 3           | Combination Switch            | 660991          | 1           |
| 4           | Plastic Bushing-Steering      | 322770          | 1           |
| 5           | Lower Steering Panel          | 322761          | 1           |
| 6           | Steering Support Weldment     | 322764          | 1           |
| 7           | Upper Steering Cover          | 322995          | 1           |
| 8           | Washerplate Assembly          | 323532          | 1           |
| 9           | Upper Steering Bushing        | 323602          | 1           |
| 10          | Compression Spring            | 323513          | 3           |
| 11          | Upper Steering Wheel Plate    | 323497          |             |
| 12          | Horn Cup Plate                | 322526          | 1           |
| 13          | Puck-Horn Cup                 | 324000          | 2           |
| 14          | Horn Button Assembly          | 329004          | 1           |
| 15          | Bearing (Gearbox)             | 321843          | 2           |
| 16          | Gearbox Case L & R            | 321106          | 1           |
| 17          | Hub-Steering                  | 323561          | 1           |
| 18          | Plate Mount Steering Assembly | 321875          | 1           |
| 19          | Rack-Steering                 | 322018          | 1           |
| 20          | Pinion Gear-Steering          | 321105          | 1           |
| 21          | Steering Column Base          | 321179          | 1           |
| 22          | Bearing                       | 321157          | 2           |
| 23          | Bracket-Steering Box          | 343879          | 1           |
| 24          | Eccentric Housing             | 322620          | 1           |
| 25          | Upper Steering Joint Bolt     | 320988          | 2           |
| 26          | Joint-Steering                | 320990          | 1           |
| 27          | Steering Wheel Assembly       | 329003          | 1           |
| 28          | Groment-3/4 ID                | 191796          | 1           |
| 29          | Groment-1/2 ID                | 191797          | 1           |
| 30          | Gear Box Assembly             | 329000          | 1           |
| 31          | Lower Pinion Shaft Assembly   | 329002          | 1           |
| 32          | Steering Rack Assembly        | 329001          | 1           |

# STEERING

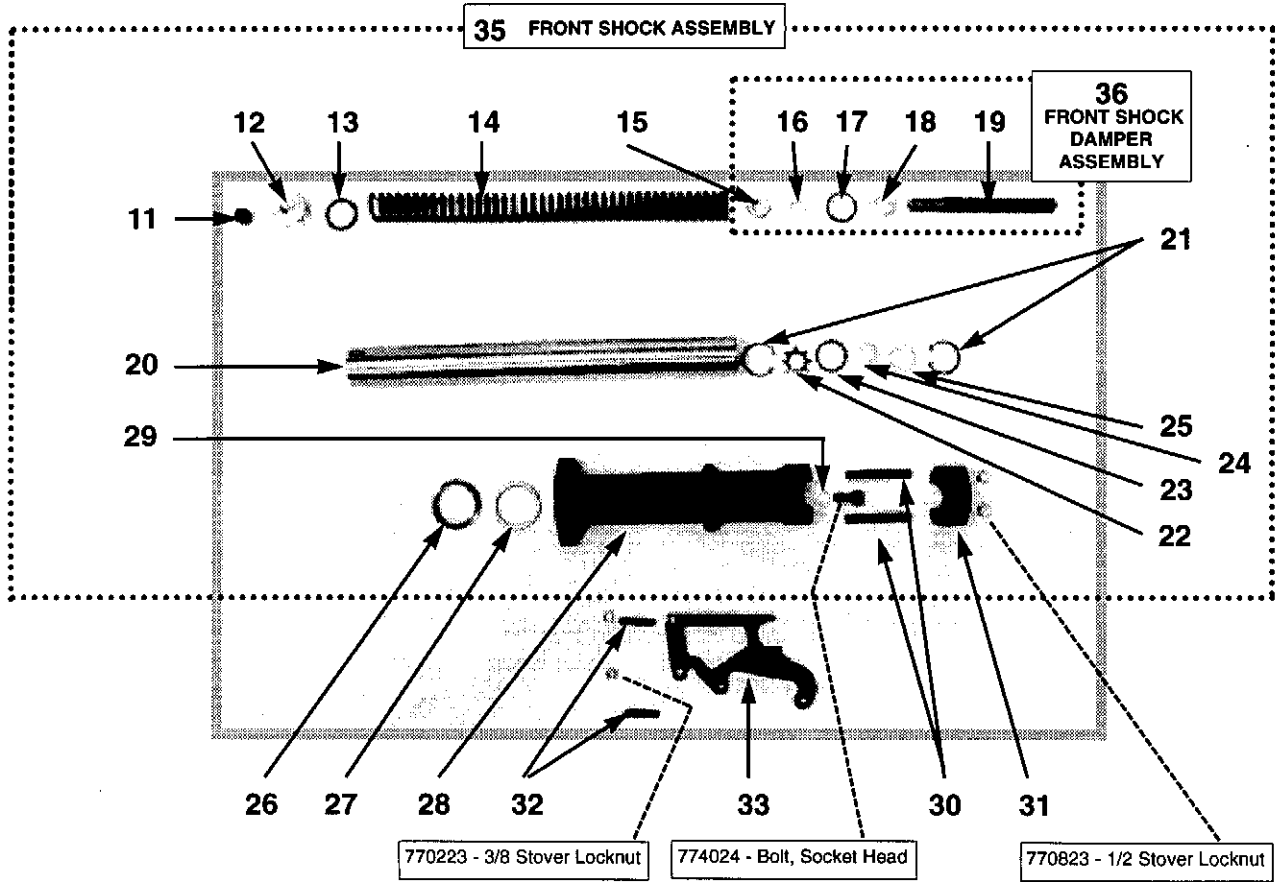
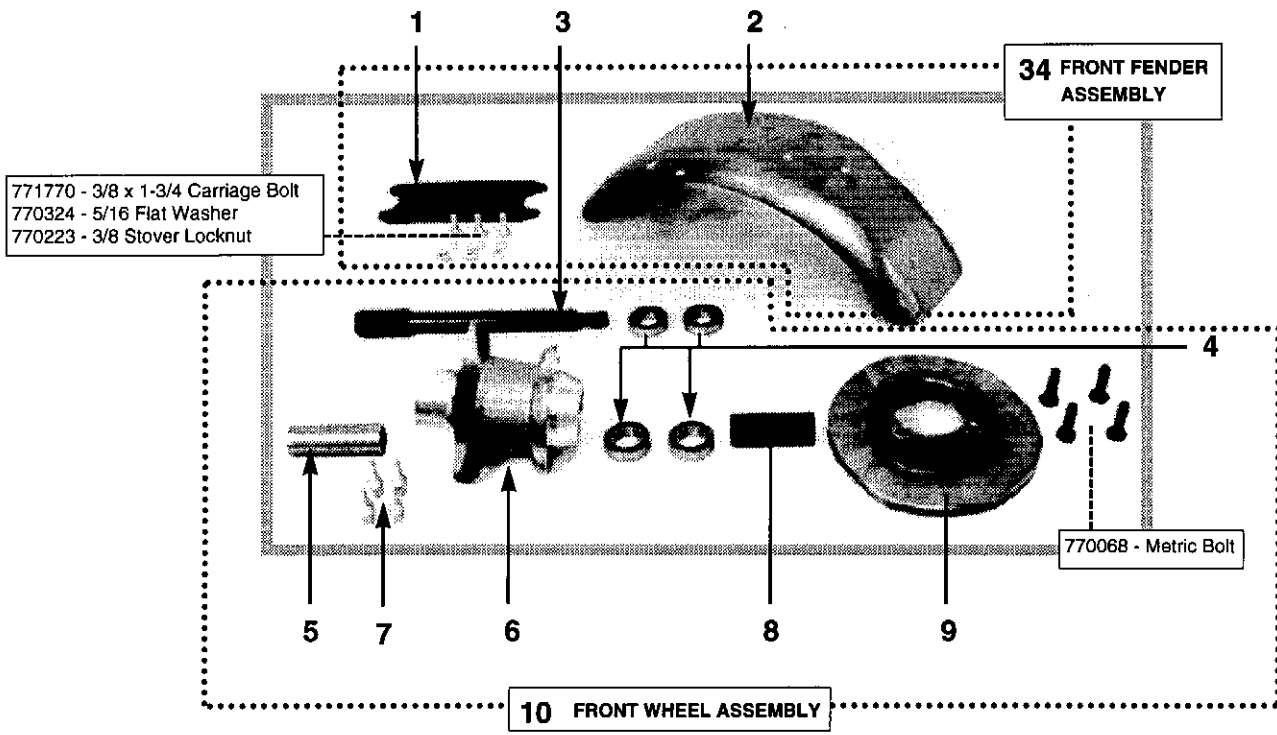


## STEERING

---

| <i>REF.</i> | <i>PART NAME</i>           | <i>PART NO.</i> | <i>QTY</i> |
|-------------|----------------------------|-----------------|------------|
| 1           | Tapered Cut                | 320056          | 2          |
| 2           | Tapered Seal Cone, Bearing | 320057          | 2          |
| 3           | Washer-Machinery Bushing   | 321139          | 2          |
| 4           | Trunion Tube               | 349019          | 1          |
| 5           | Fork Support-Lower         | 342246          | 1          |
| 6           | Steering Shaft             | 323816          | 1          |
| 7           | Fork Support-Upper         | 342247          | 1          |
| 8           | Fork Support Assembly      | 349001          | 1          |

# FRONT SUSPENSION



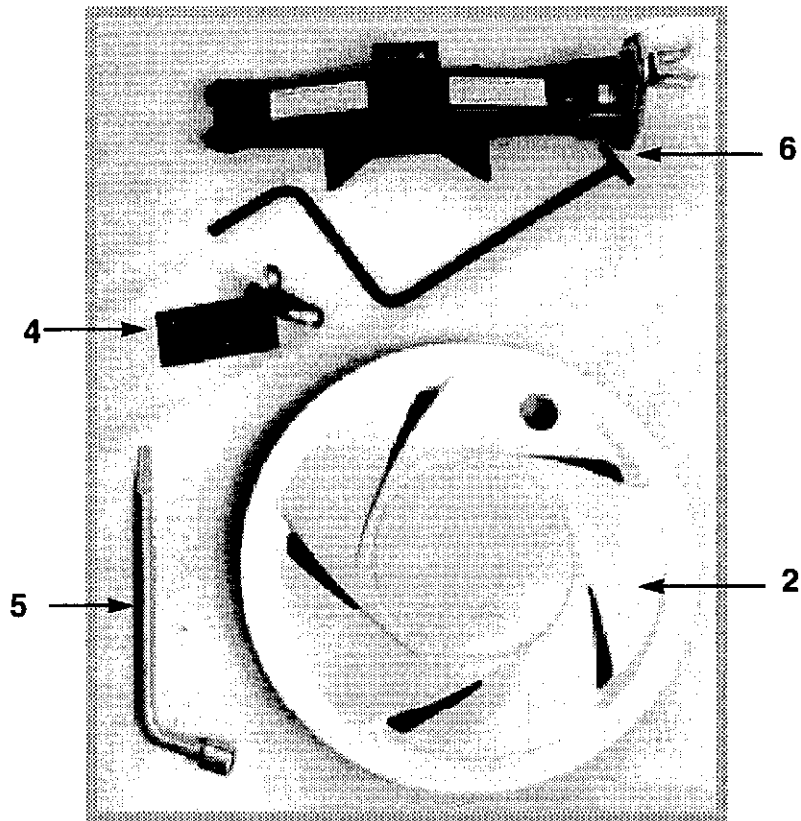
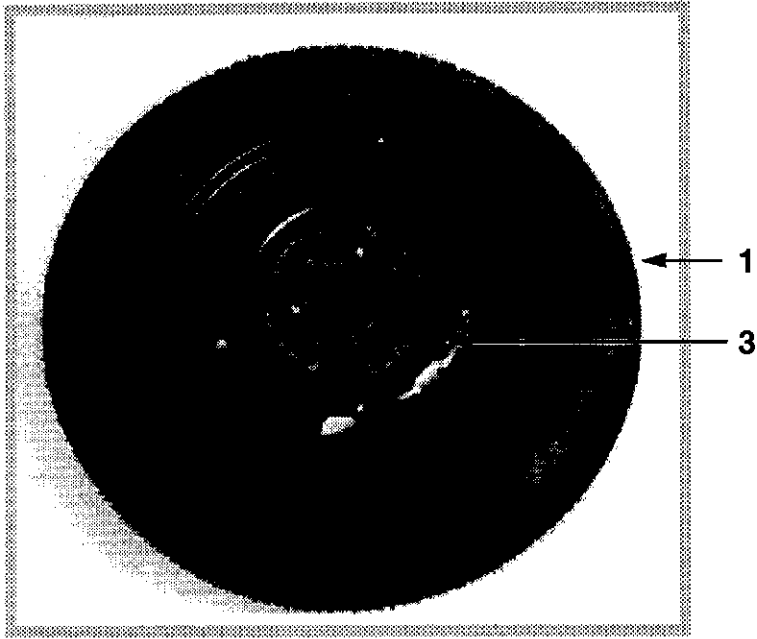


## FRONT SUSPENSION

| REF. | PART NAME                   | PART NO. | QTY |
|------|-----------------------------|----------|-----|
| 1    | Front Fender Support        | 531273   | 1   |
| 2    | Front Fender                | 534000   | 1   |
| 3    | Front Axle                  | 342254   | 1   |
| 4    | Bearing                     | 343224   | 4   |
| 5    | Axle Sleeve, Inner          | 343221   | 1   |
| 6    | Front Hub                   | 343219   | 1   |
| 7    | Bolt-Wheel                  | 371079   | 4   |
| 8    | Axle Sleeve, Outer          | 342253   | 1   |
| 9    | Plate-Disc                  | 430756   | 1   |
| 10   | Front Wheel Assembly        | 349003   | 1   |
| 11   | Filler Plug                 | 343668   | 1   |
| 12   | Cap, Strut                  | 343598   | 1   |
| 13   | O-Ring-Strut Cap            | 341488   | 1   |
| 14   | Compression Spring          | 344012   | 1   |
| 15   | Hex Nut Damper Tube         | 344009   | 1   |
| 16   | Washer Front Shock Damper   | 344005   | 1   |
| 17   | Piston Uni-Ring             | 343594   | 1   |
| 18   | Front Shock Damper Piston   | 344004   | 1   |
| 19   | Tube, Shock Damper          | 344011   | 1   |
| 20   | Strut, Front Shock          | 344001   | 1   |
| 21   | Snap Ring                   | 344017   | 2   |
| 22   | Star Washer                 | 343630   | 1   |
| 23   | O-Ring 220                  | 344008   | 1   |
| 24   | M2OL Washer                 | 344007   | 1   |
| 25   | Washer-Damper               | 343631   | 1   |
| 26   | Rod Wiper                   | 343595   | 1   |
| 27   | Loaded U Cup                | 343593   | 1   |
| 28   | Reservoir, Front Shock      | 342251   | 1   |
| 29   | 1/2 inch Copper Washer      | 344006   | 1   |
| 30   | Stud, Axle Support,, Fork   | 341120   | 2   |
| 31   | Support, Front Axle         | 344000   | 1   |
| 32   | Stud, Caliper Mount         | 341116   | 2   |
| 33   | Mount-Brake Caliper         | 432803   | 1   |
| 34   | Front Fender Assembly       | 539000   | 1   |
| 35   | Front Shock Assembly        | 349002   | 2   |
| 36   | Front Shock Damper Assembly | 349004   | 2   |

# TIRES & JACK

---



## TIRES & JACK

---

| <i>REF.</i> | <i>PART NAME</i>        | <i>PART NO.</i> | <i>Q'TY</i> |
|-------------|-------------------------|-----------------|-------------|
| 1           | Tire                    | 370059          | 3           |
| 2           | Hub Cap (White Turbine) | 371420          | 2           |
| 3           | Wheel Rim               | 372619          | 3           |
| 4           | Spare Tire Mount        | 374003          | 1           |
| 5           | Lug Wrench              | 372735          | 1           |
| 6           | Scissor Jack & Handle   | 370063          | 1           |

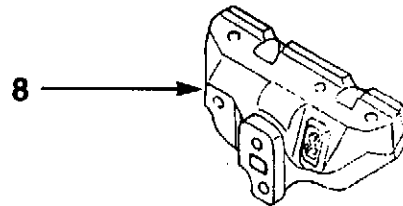
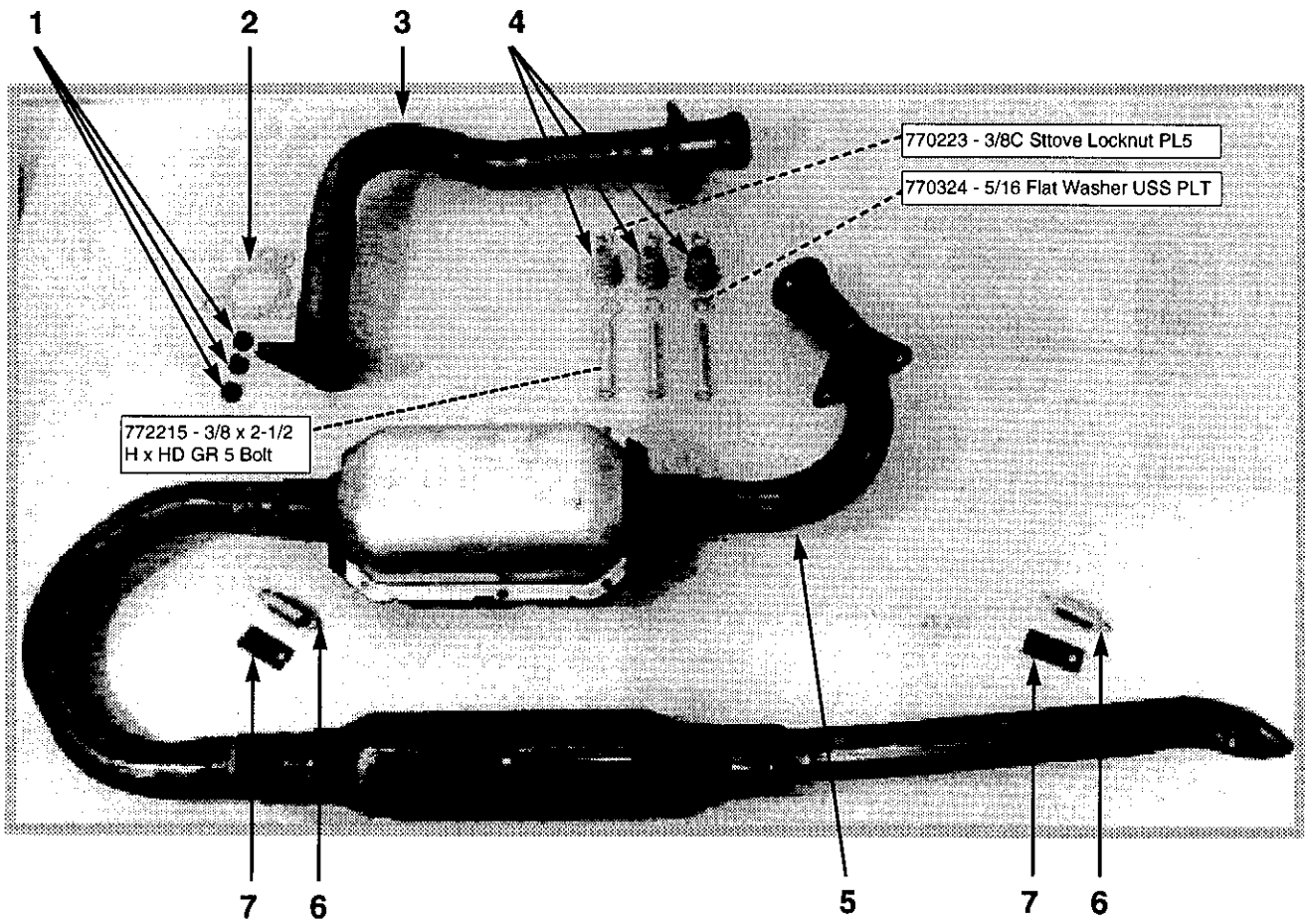


## ENGINE & TRANSMISSION MOUNT

---

| <i>REF.</i> | <i>PART NAME</i>          | <i>PART NO.</i> | <i>Q'TY</i> |
|-------------|---------------------------|-----------------|-------------|
| 1           | Rubber Engine Mount #1    | 393085          | 1           |
| 2           | Rubber Engine Mount #2    | 393086          | 1           |
| 3           | Bolt-Rubber Engine Mounts | 393087          | 2           |
| 4           | Bracket Engine Mount #2   | 393081          | 1           |
| 5           | Bracket Engine Mount #1   | 393080          | 1           |
| 6           | Bolt-Engine Mount         | 393698          | 2           |
| 7           | Nut-Engine Mount #3       | 393084          | 3           |
| 8           | Plate Gusset-Front        | 190451          | 1           |
| 9           | Bolt-Plate Gusset Front   | 153699          | 1           |
| 10          | Upper Engine Mount        | 393771          | 1           |
| 11          | Rear Engine Mount Bracket | 394005          | 1           |

# EXHAUST SYSTEM

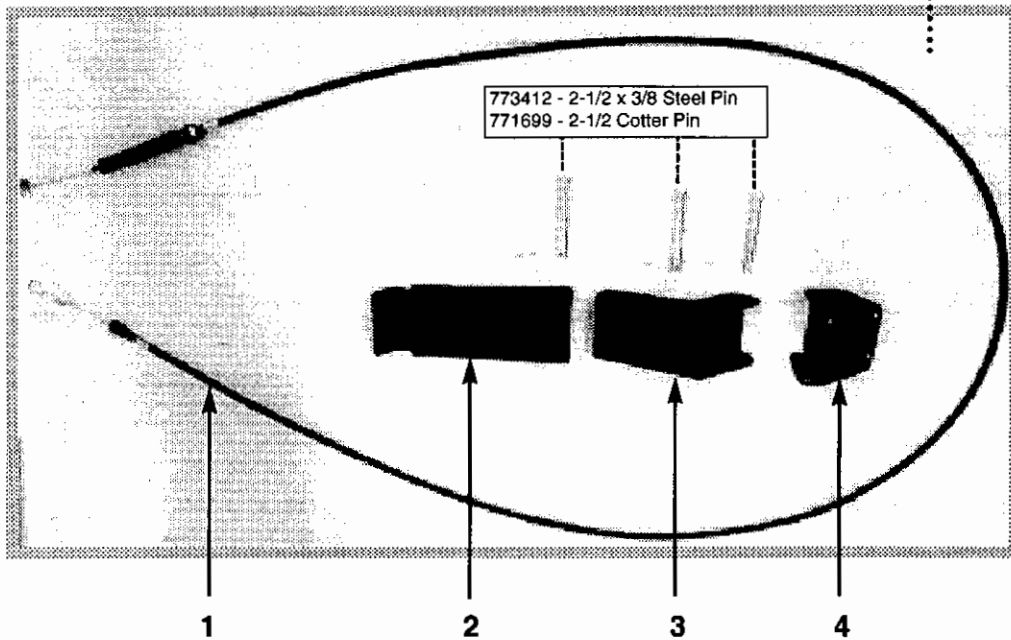


## EXHAUST SYSTEM

---

| <i>REF.</i> | <i>PART NAME</i>      | <i>PART NO.</i> | <i>QTY</i> |
|-------------|-----------------------|-----------------|------------|
| 1           | Nut-Exhaust           | 403362          | 3          |
| 2           | Gasket Exhaust        | 403361          | 1          |
| 3           | Down Pipe             | 404000          | 1          |
| 4           | Spring-Exhaust        | 403360          | 3          |
| 5           | Exhaust-Main System   | 404002          | 1          |
| 6           | Hanger-Exhaust System | 404001          | 2          |
| 7           | Tab-Muffler Hanger    | 404004          | 2          |
| 8           | Insulator Assembly    | 403149          | 1          |

# ACCELERATOR





# ACCELERATOR

---

| <i>REF.</i> | <i>PART NAME</i>  | <i>PART NO.</i> | <i>QTY</i> |
|-------------|-------------------|-----------------|------------|
| 1           | Throttle Cable    | 413538          | 1          |
| 2           | Pedal-Accelerator | 413575          | 1          |
| 3           | Arm-Accelerator   | 413576          | 1          |
| 4           | Mount-Accelerator | 413577          | 1          |

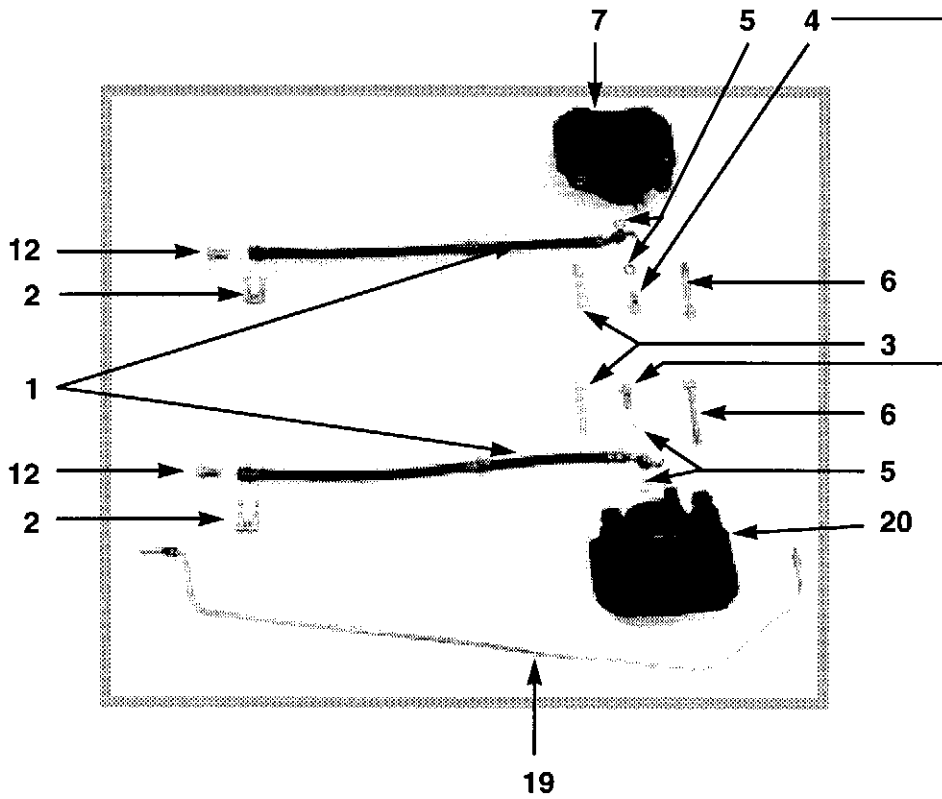
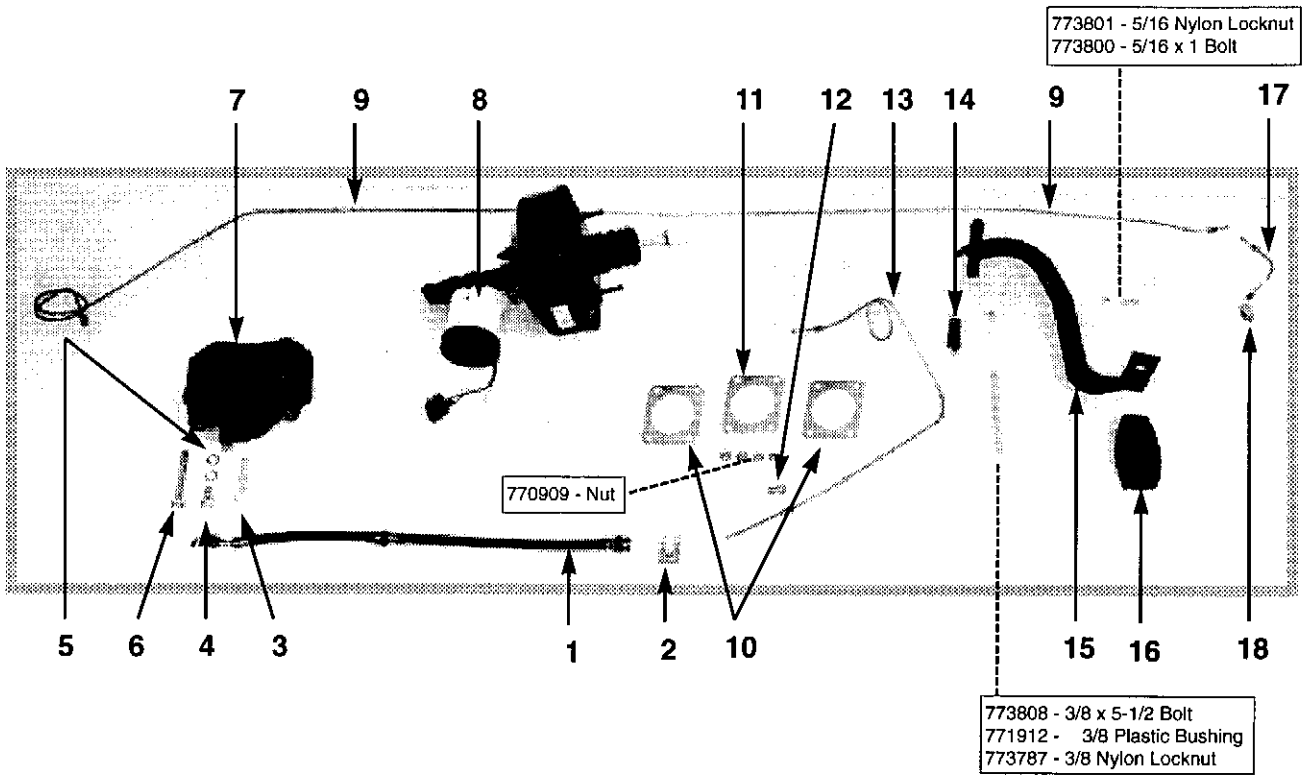


## FUEL TANK & LINE

---

| REF. | PART NAME                           | PART NO. | QTY |
|------|-------------------------------------|----------|-----|
| 1    | Fuel Tank Assembly                  | 429000   | 1   |
| 2    | Fuel Pump                           | 423090   | 1   |
| 3    | Fuel Level Sender                   | 424004   | 1   |
| 4    | Insulator Strap-17 inch             | 684005   | 2   |
| 5    | Clamp-Filler Hose                   | 423695   | 2   |
| 6    | Hose-Fuel Overflow                  | 424007   | 1   |
| 7    | Cap-Filler                          | 423131   | 1   |
| 8    | Hose Joint                          | 423298   | 1   |
| 9    | Spout-Fuel Filler                   | 424001   | 1   |
| 10   | Gas Spout Support                   | 424002   | 2   |
| 11   | Strap-Gas Tank                      | 423717   | 2   |
| 12   | Rubber-Mounting                     | 133026   | 2   |
| 13   | Fuel Filter Assembly                | 423016   | 1   |
| 14   | Fuel Line Hose-24 inch              | 424005   | 1   |
| 15   | Fuel Line Hose-12 inch              | 423826   | 1   |
| 16   | Fuel Line Hose-20 inch              | 423827   | 1   |
| 17   | Fuel Line-16 1/4 inch               | 421732   | 1   |
| 18   | Hose Clip                           | 133015   | 8   |
| 19   | Gasket-Fuel Sender                  | 421924   | 1   |
| 20   | Gasket-Fuel Pump                    | 420255   | 1   |
| 21   | Fuel Tank                           | 423620   | 1   |
|      | Locking Fuel Cap <i>(not Shown)</i> | 423010   | 1   |

# BRAKE SYSTEM

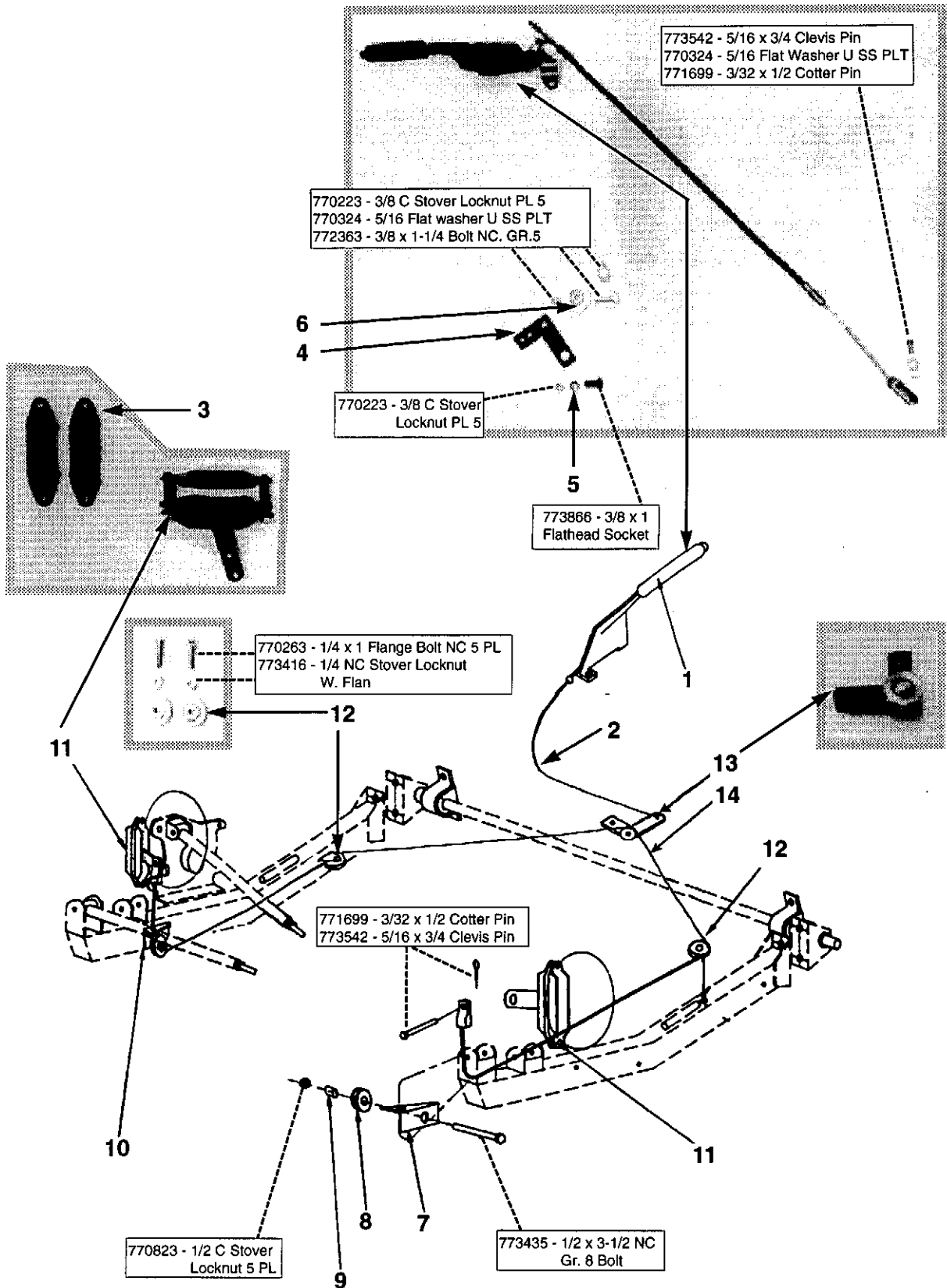


## BRAKE SYSTEM

---

| REF. | PART NAME                                 | PART NO. | QTY |
|------|-------------------------------------------|----------|-----|
| 1    | Hose-Flexible                             | 430938   | 3   |
| 2    | Clip-Flexible Hose                        | 430936   | 3   |
| 3    | Bolt-Caliper Brake                        | 430760   | 3   |
| 4    | Bolt-Connector                            | 430937   | 3   |
| 5    | Connector-Bolt Washer                     | 430935   | 6   |
| 6    | Bolt-Wheel Cylinder                       | 430759   | 3   |
| 7    | Caliper-R.H. Rear Brake                   | 430761   | 2   |
| 8    | Master Vacuum Assembly                    | 431078   | 1   |
| 9    | Main Brake Line                           | 432130   | 1   |
| 10   | Seal                                      | 433095   | 2   |
| 11   | Spacer                                    | 433096   | 1   |
| 12   | Adapter                                   | 432069   | 3   |
| 13   | Front Brake Line-40"                      | 432132   | 1   |
| 14   | Momentary Switch                          | 661021   | 1   |
| 15   | Brake Arm                                 | 433802   | 1   |
| 16   | Rubber Brake Pedal                        | 432374   | 1   |
| 17   | Right. Rear Brake Line-8"                 | 432133   | 1   |
| 18   | Tees (Hydraulic Brake)                    | 431076   | 1   |
| 19   | Rear Cross Brake Line 36"                 | 432131   | 1   |
| 20   | Caliper-LH Brake                          | 430762   | 1   |
| 21   | Vacuum Hose <i>(not illustrated)</i>      | 431733   | 1   |
| 22   | Clip-Vacuum Hose <i>(not illustrated)</i> | 770926   | 2   |

# PARKING BRAKE

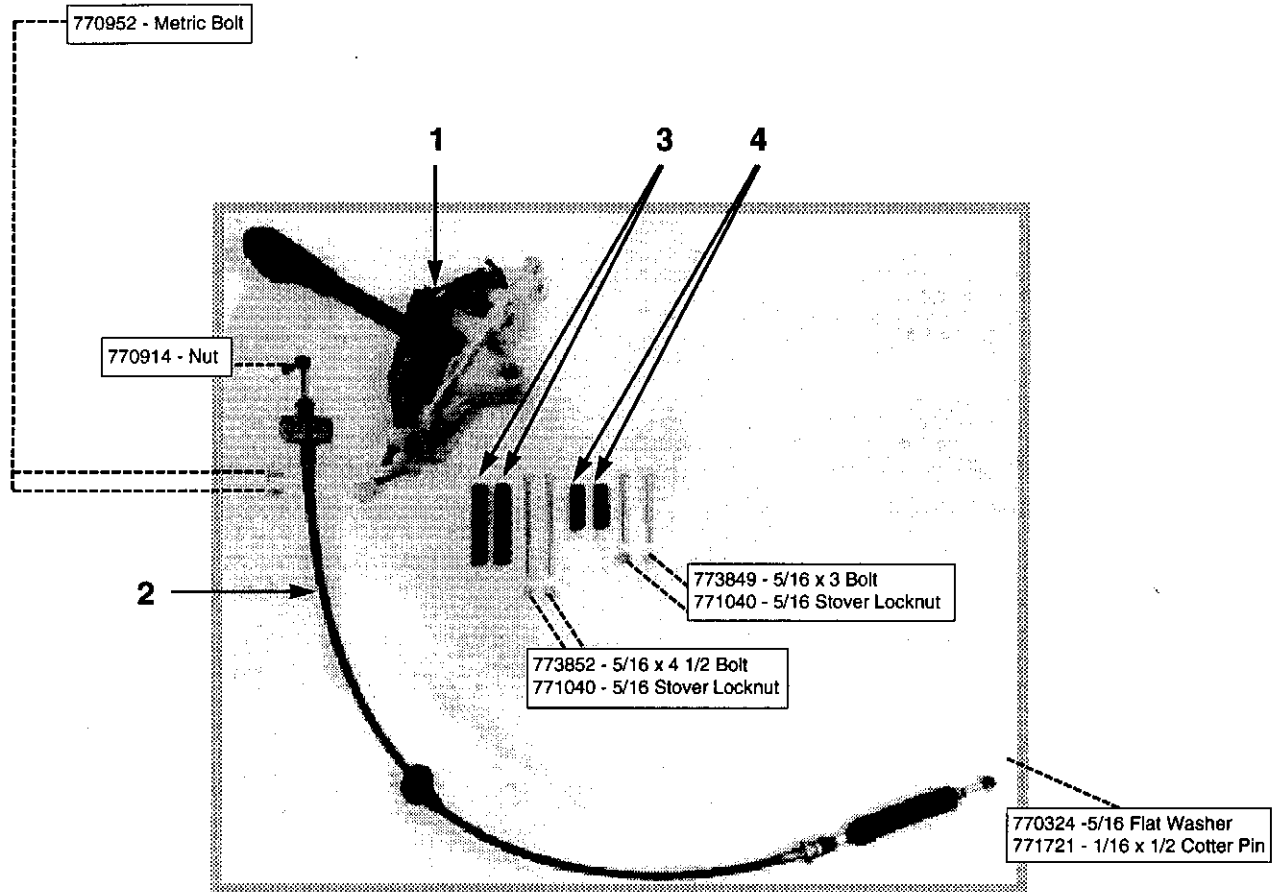


## PARKING BRAKE

---

| <i>REF.</i> | <i>PART NAME</i>                   | <i>PART NO.</i> | <i>QTY</i> |
|-------------|------------------------------------|-----------------|------------|
| 1           | Lever-Park Brake                   | 443097          | 1          |
| 2           | Emergency Brake Cable              | 442569          | 1          |
| 3           | Pad-Caliper Replacement (one pair) | 443205          | 1          |
| 4           | Park Brake Cable L Bracket         | 443681          | 1          |
| 5           | Bushing-Park Brake Bracket         | 443777          | 1          |
| 6           | Pulley-Roller                      | 583688          | 1          |
| 7           | RH Cable Bracket                   | 442888          | 1          |
| 8           | Pulley-Emergency Brake             | 442868          | 2          |
| 9           | Bushing-Pulley                     | 442867          | 2          |
| 10          | LH Cable Bracket                   | 442887          | 1          |
| 11          | Brake Caliper-Parking              | 442605          | 2          |
| 12          | Pulley                             | 583873          | 2          |
| 13          | Parking Brake Bracket Assembly     | 449000          | 1          |
| 14          | Brake Cable L-R                    | 442886          | 1          |

# CHANGE CONTROL



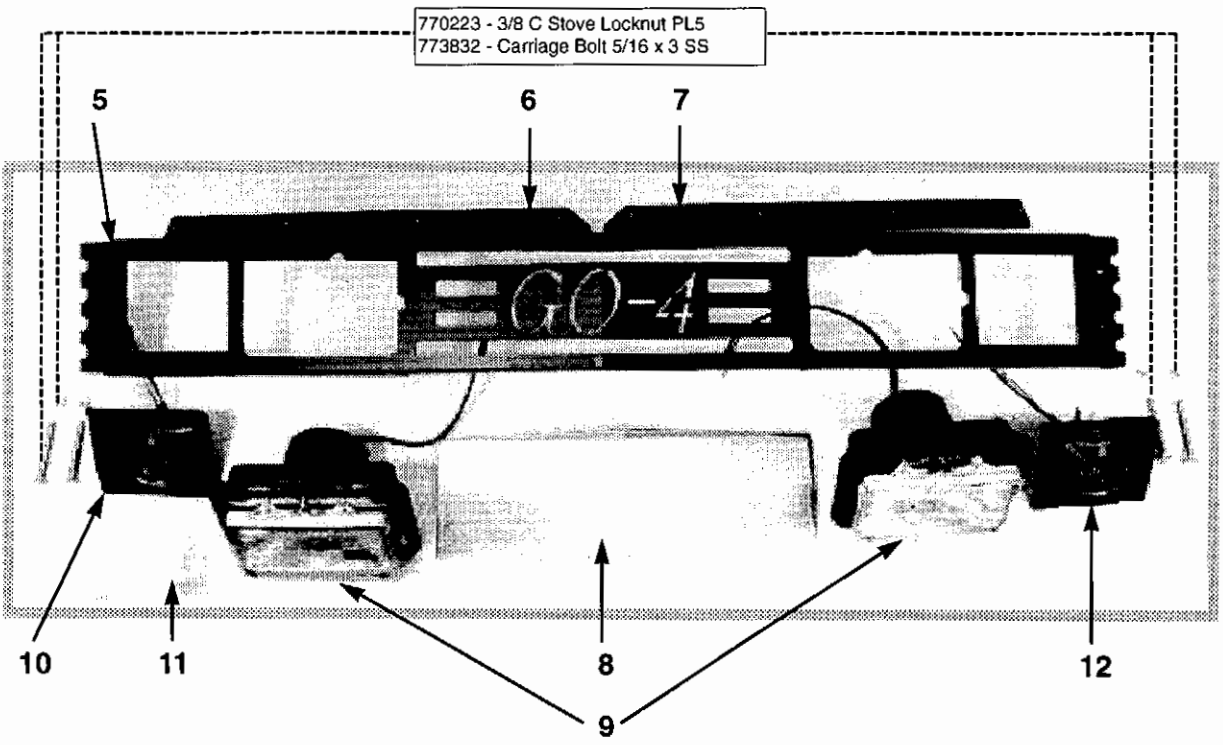
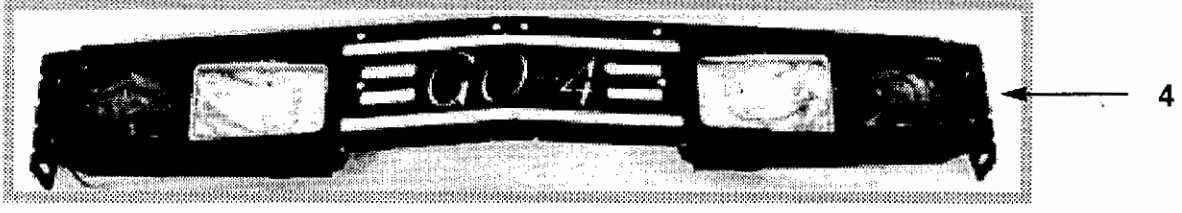
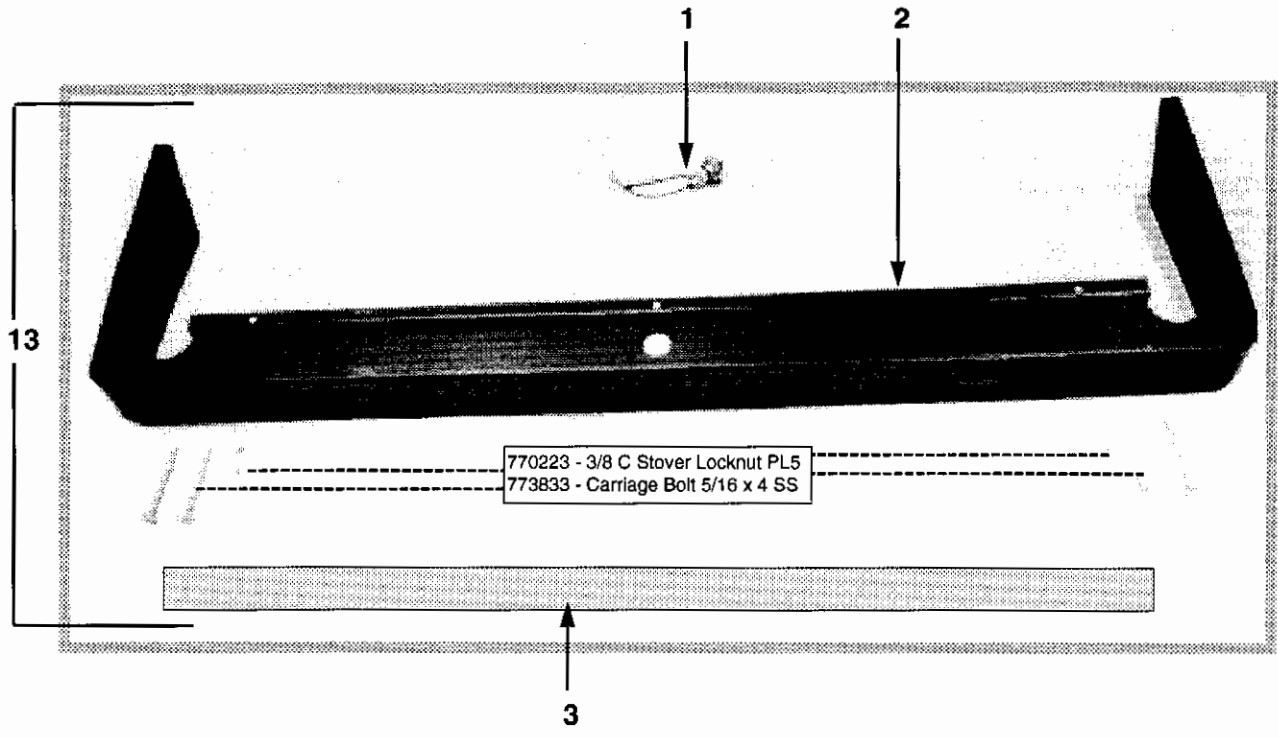


# CHANGE CONTROL

---

| <i>REF.</i> | <i>PART NAME</i>           | <i>PART NO.</i> | <i>QTY</i> |
|-------------|----------------------------|-----------------|------------|
| 1           | Change Compartment         | 463098          | 1          |
| 2           | Cable Control              | 463101          | 1          |
| 3           | Spacer-Lower Shifter Mount | 463764          | 2          |
| 4           | Spacer-Lower Shifter Mount | 463765          | 2          |

# BUMPERS

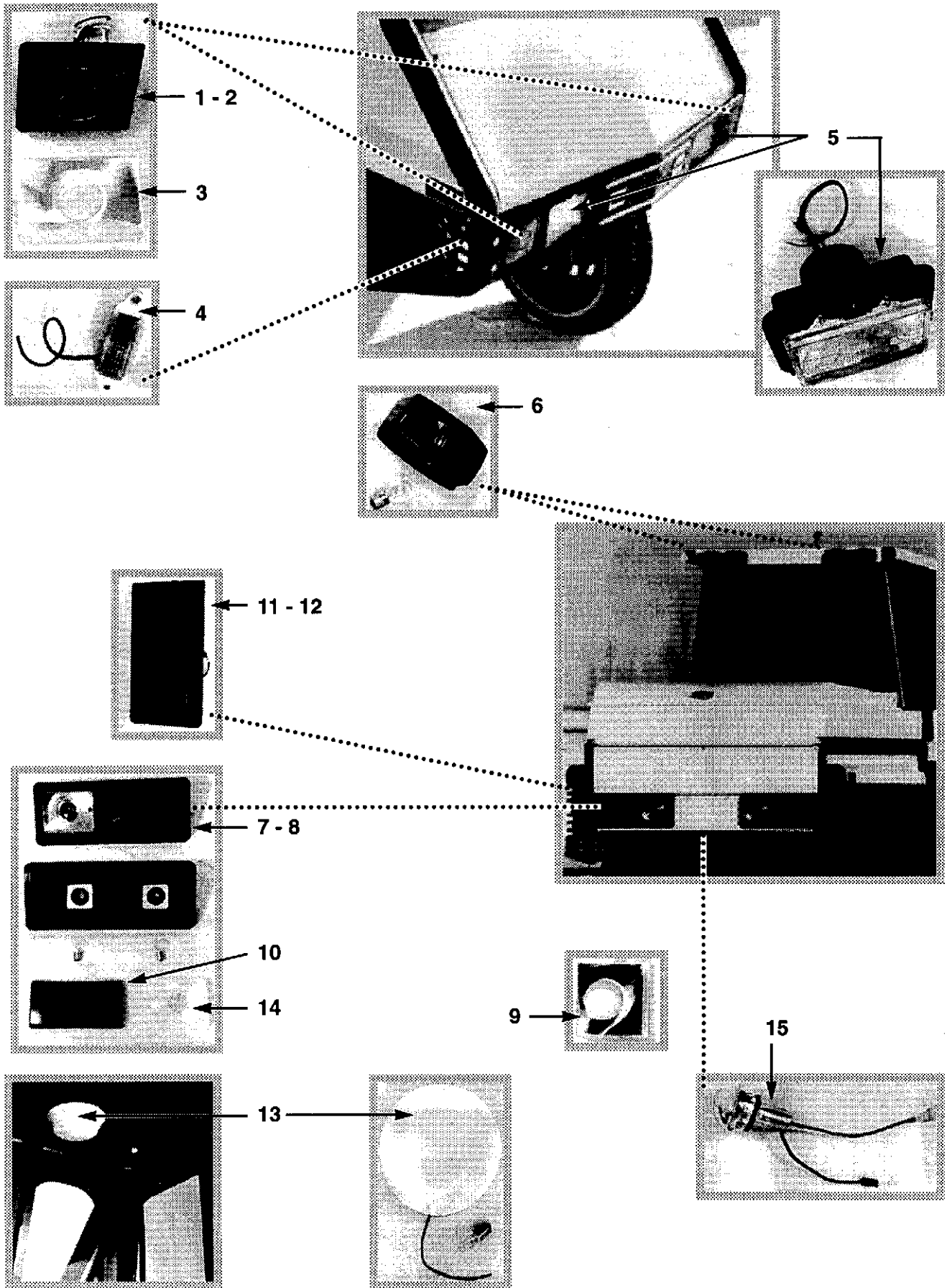


## BUMPERS

---

| <i>REF.</i> | <i>PART NAME</i>               | <i>PART NO.</i> | <i>QTY</i> |
|-------------|--------------------------------|-----------------|------------|
| 1           | License Plate Lamp Assembly    | 519004          | 1          |
| 2           | Bumper-Rear                    | 504003          | 1          |
| 3           | Panel-Rear Bumper Filler       | 504000          | 1          |
| 4           | Bumper-Front Assembly          | 509000          | 1          |
| 5           | Bumper-Front                   | 503422          | 1          |
| 6           | Support-Nose Cone RH           | 503838          | 1          |
| 7           | Support-Nose Cone LH           | 503837          | 1          |
| 8           | Backing Plate-Front Bumper     | 503590          | 1          |
| 9           | Headlight Assembly             | 510073          | 2          |
| 10          | Signal Light Assembly-Front RH | 519000          | 1          |
| 11          | Turn Signal Retainer-Front     | 513828          | 2          |
| 12          | Signal Light Assembly-Front LH | 519001          | 1          |
| 13          | Rear Bumper Assembly           | 509001          | 1          |

# LIGHTING

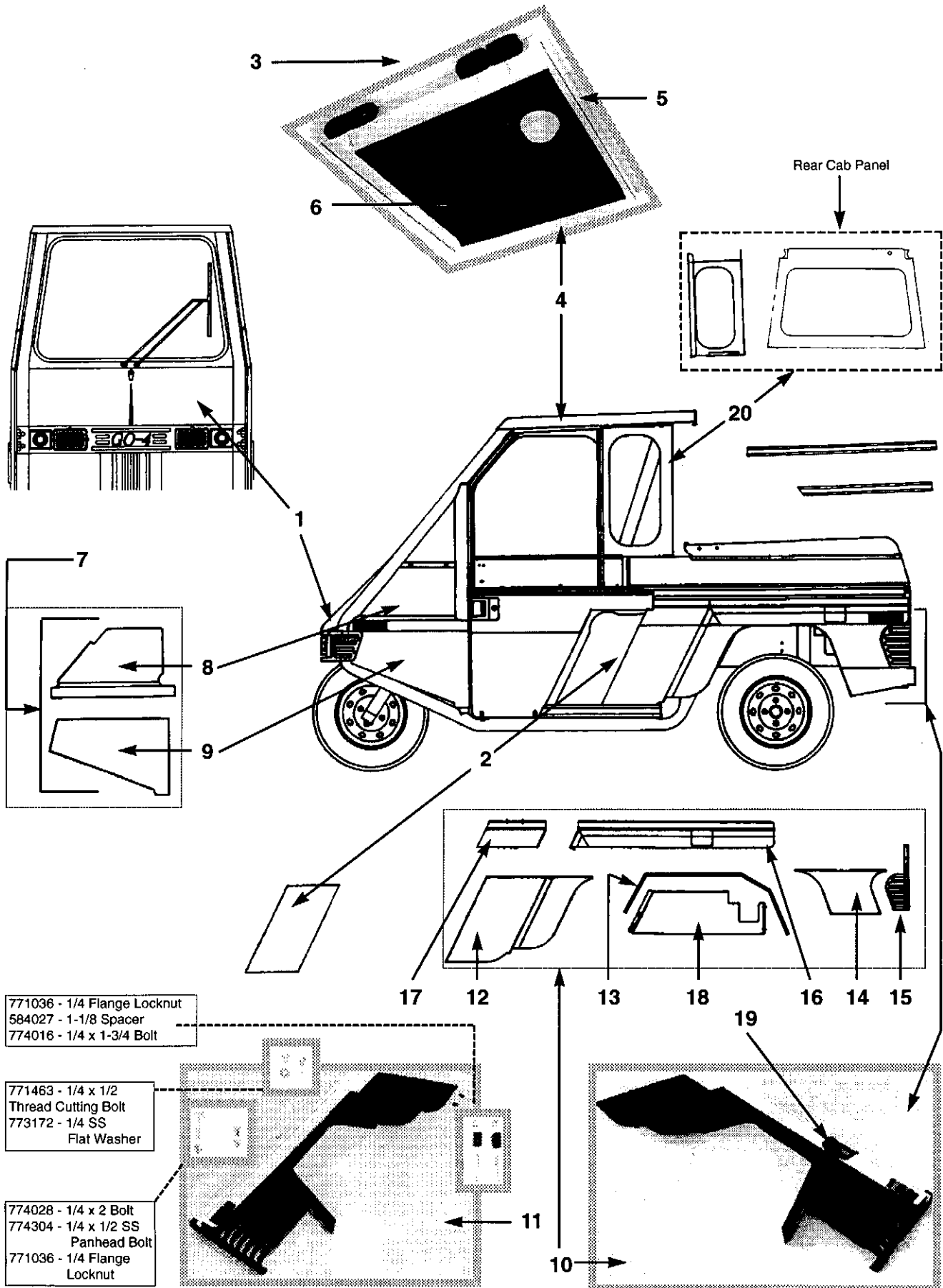


## LIGHTING

---

| <i>REF.</i> | <i>PART NAME</i>                | <i>PART NO.</i> | <i>QTY</i> |
|-------------|---------------------------------|-----------------|------------|
| 1           | Signal Light Assembly-Front RH  | 519000          | 1          |
| 2           | Signal Light Assembly-Front LH  | 519001          | 1          |
| 3           | Turn Signal Retainer            | 513828          | 2          |
| 4           | Light-Front Side Marker         | 514001          | 2          |
| 5           | Headlight Assembly              | 510073          | 2          |
| 6           | Clearance Light-Red             | 511029          | 4          |
| 7           | Tail- light-Right Rear          | 513583          | 1          |
| 8           | Tail- light-Left Rear           | 513584          | 1          |
| 9           | Retainer-Rear Tail Light        | 514000          | 2          |
| 10          | Red Taillight Cover             | 514002          | 2          |
| 11          | Signal Light Assembly-Rear RH   | 519002          | 1          |
| 12          | Signal Light Assembly-Rear LH   | 519003          | 1          |
| 13          | Dome Light Assembly with Switch | 510075          | 1          |
| 14          | Clear Taillight Cover           | 514003          | 2          |
| 15          | License Plate Lamp Assembly     | 519004          | 1          |

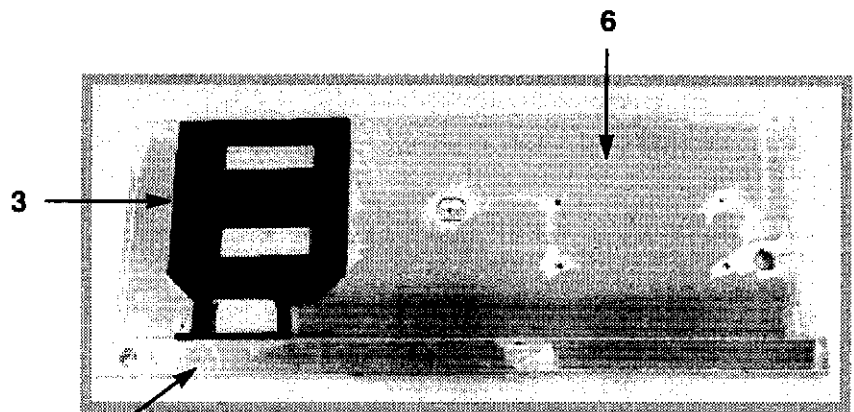
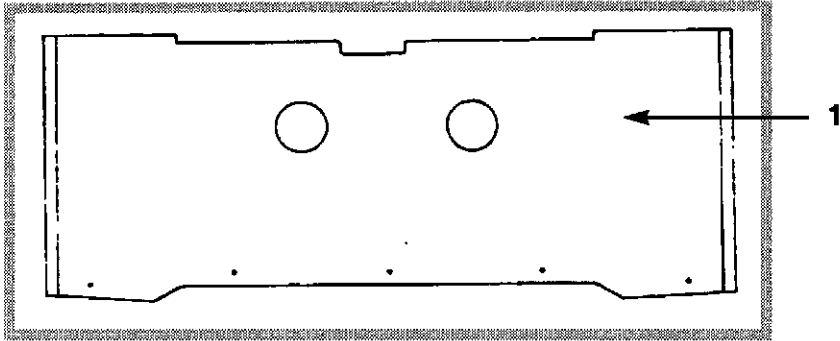
# BODY PANELS



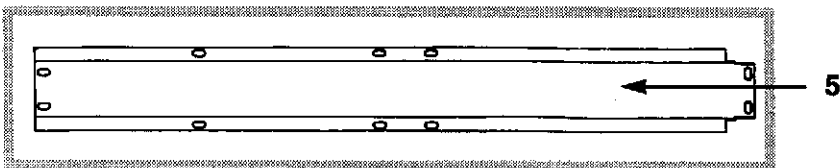
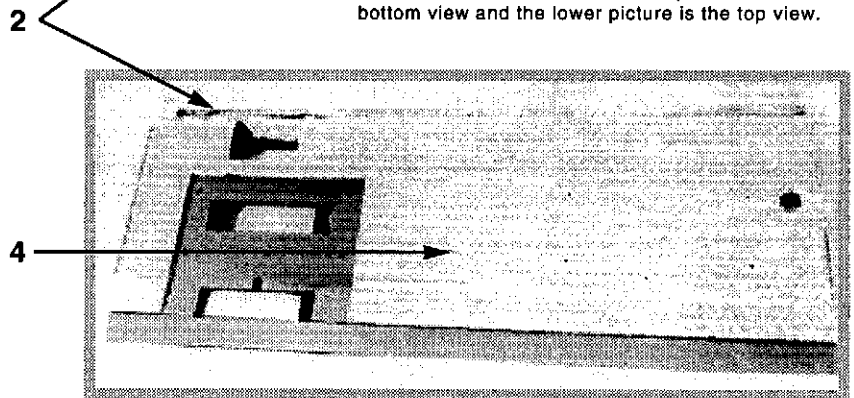
## BODY PANELS

| REF. | PART NAME                                                    | PART NO. | QTY |
|------|--------------------------------------------------------------|----------|-----|
| 1    | Hood-Front                                                   | 533418   | 1   |
| 2    | Panel-Front, Engine Intake                                   | 534021   | 2   |
|      | Panel-Front, Engine Intake with A/C <i>(not illustrated)</i> | 534022   | 2   |
| 3    | Roof Assembly                                                | 539001   | 1   |
| 4    | Roof Panel                                                   | 533469   | 1   |
| 5    | Top Window Slider-Roof                                       | 534020   | 2   |
| 6    | Headliner                                                    | 533863   | 1   |
| 7    | Front Filler Panel Assembly-LH                               | 539003   | 1   |
|      | Front Filler Panel Assembly-RH <i>(not illustrated)</i>      | 539002   | 1   |
| 8    | Filler Panel-Upper Front LH                                  | 533543   | 1   |
|      | Filler Panel-Upper Front RH <i>(not illustrated)</i>         | 533544   | 1   |
| 9    | Filler Panel-Lower Front LH                                  | 533564   | 1   |
|      | Filler Panel-Lower Front RH <i>(not illustrated)</i>         | 533565   | 1   |
| 10   | Fender Assembly-LH                                           | 539005   | 1   |
| 11   | Fender Assembly-RH                                           | 539004   | 1   |
| 12   | Panel-Engine Intake LH                                       | 534005   | 1   |
|      | Panel-Engine Intake RH <i>(not illustrated)</i>              | 534002   | 1   |
| 13   | Splashguard                                                  | 534015   | 2   |
| 14   | Fender Panel-Rear Corner LH                                  | 533484   | 1   |
|      | Fender Panel-Rear Corner RH <i>(not illustrated)</i>         | 533485   | 1   |
| 15   | Tail Light Cover-LH                                          | 533482   | 1   |
|      | Tail Light Cover-RH <i>(not illustrated)</i>                 | 533483   | 1   |
| 16   | Panel-Fender Upper Stepside, LH                              | 534011   | 1   |
|      | Panel-Fender Upper Stepside, RH <i>(not illustrated)</i>     | 534012   | 1   |
| 17   | Side Access Panel-Upper, LH                                  | 534019   | 1   |
|      | Side Access Panel-Upper, RH <i>(not illustrated)</i>         | 534018   | 1   |
| 18   | Fender Well-Inner, LH                                        | 533729   | 1   |
|      | Fender Well-Inner, RH <i>(not illustrated)</i>               | 533730   | 1   |
| 19   | Edge Protector                                               | 684016   | 1   |
| 20   | Rear Cab Panel                                               | 533686   | 1   |

# BODY PANELS



DASH BASE ASSEMBLY - Above picture is the bottom view and the lower picture is the top view.



WIRING TRAY- Extends from front to rear of Vehicle, underneath the floor panel.

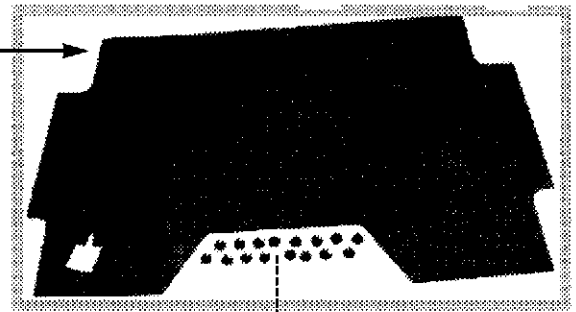
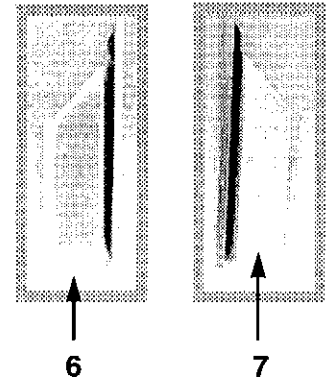
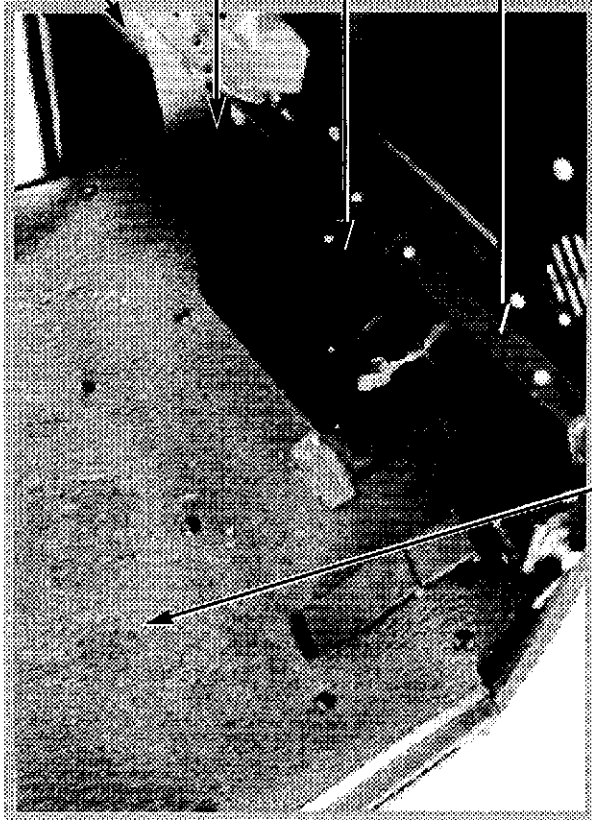
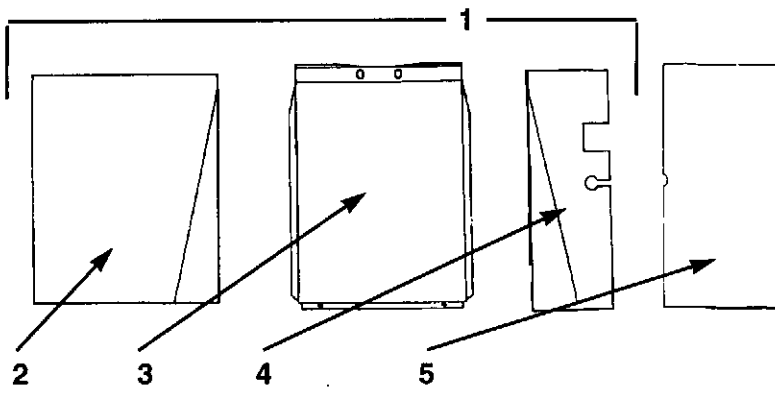


## BODY PANELS

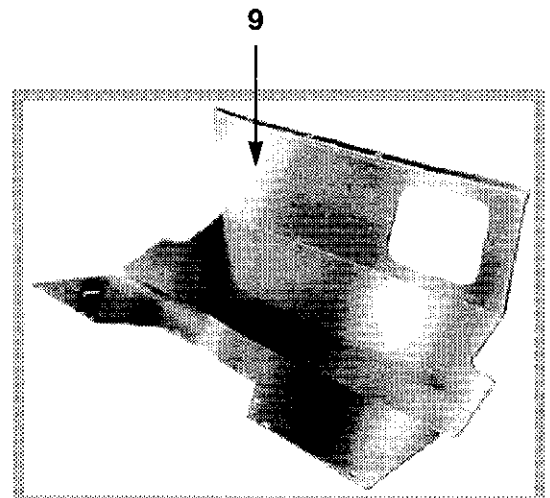
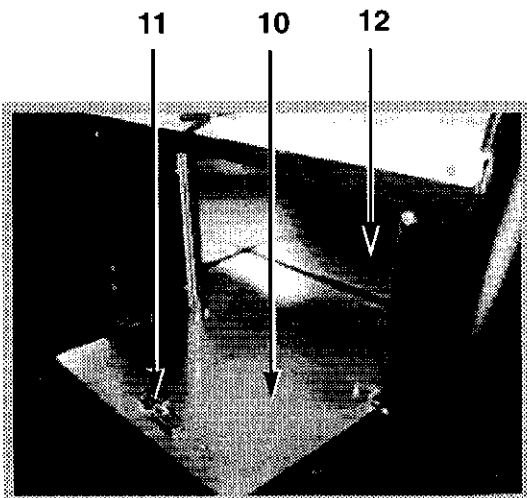
---

| <i>REF.</i> | <i>PART NAME</i>           | <i>PART NO.</i> | <i>QTY</i> |
|-------------|----------------------------|-----------------|------------|
| 1           | Dash Top                   | 533603          | 1          |
| 2           | Dash Base Assembly         | 539008          | 1          |
| 3           | Gasket-Heater to Dash Base | 614006          | 1          |
| 4           | Insulation Foil            | 682975          | 1          |
| 5           | Wiring Tray                | 533573          | 2          |
| 6           | Dash Base                  | 533714          | 1          |

# INTERIOR BODY PANELS



771099 - Floor Mounting Tabs

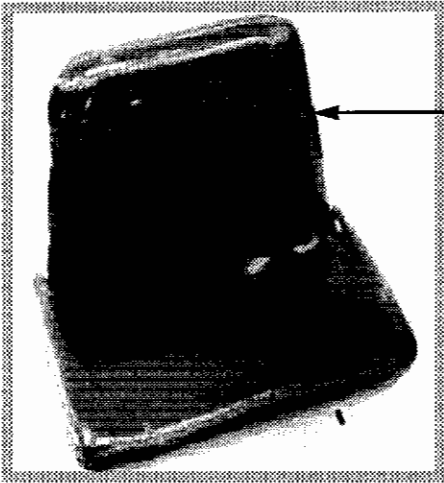


## INTERIOR BODY PANELS

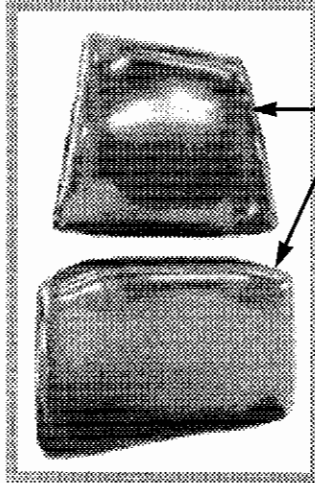
---

| <i>REF.</i> | <i>PART NAME</i>                     | <i>PART NO.</i> | <i>QTY</i> |
|-------------|--------------------------------------|-----------------|------------|
| 1           | Console Assembly-Front               | 539006          | 1          |
| 2           | Console Panel, LH Outer              | 533806          | 1          |
| 3           | Console Panel, RH Inner              | 533805          | 1          |
| 4           | Console Panel, LH Inner              | 533807          | 1          |
| 5           | Console Panel, RH Outer              | 533804          | 1          |
| 6           | Panel-Floor Filler LH                | 633861          | 1          |
| 7           | Panel-Floor Filler RH                | 633860          | 1          |
| 8           | Floor Mat 96                         | 683865          | 1          |
| 9           | Panel-Floor                          | 533465          | 1          |
| 10          | Personal Compartment Door            | 534024          | 1          |
| 11          | Lock & Key-Personal Compartment Door | 530656          | 1          |
| 12          | Personal Compartment                 | 534023          | 1          |

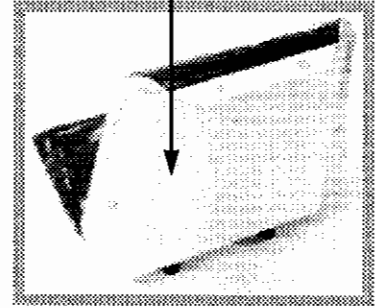
# SEAT & SEAT BELTS



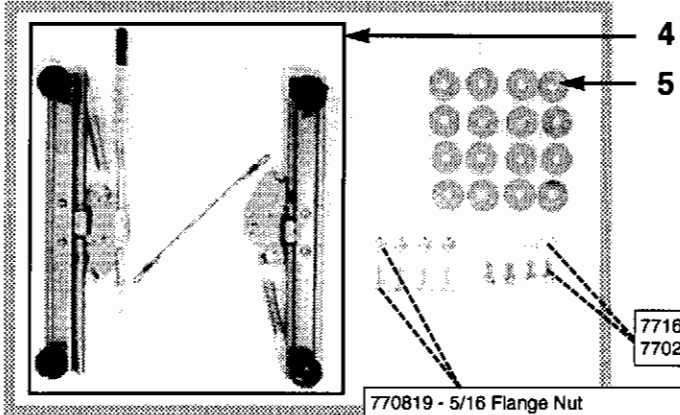
1



2



3

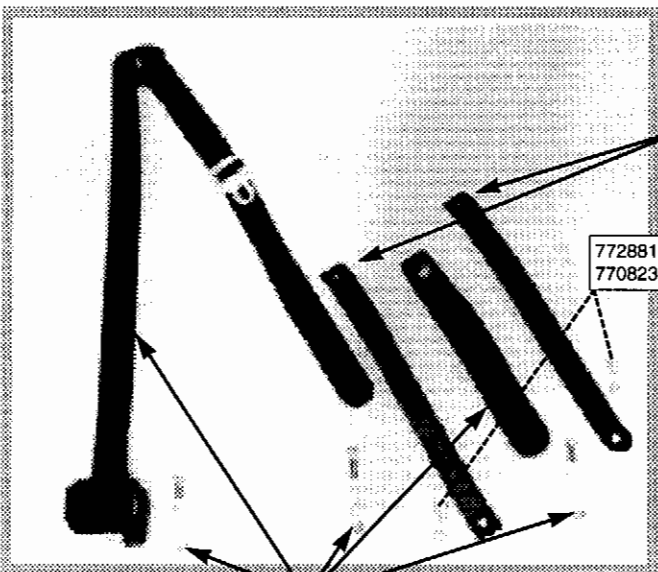


4

5

771689 - 1/4 STD. Z.P. Washer  
770279 - 1/4 x 3/4 Flange Bolt

770819 - 5/16 Flange Nut  
770079 - 5/16 x 1 Carriage Bolt

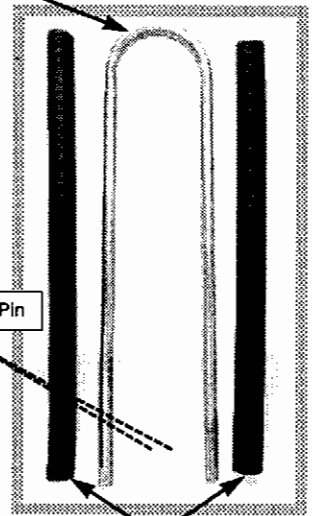


9

772881 - 1/2 x 3/4 Gr.5 NC Bolt  
770823 - 1/2 C Stover Nut

8

6



7

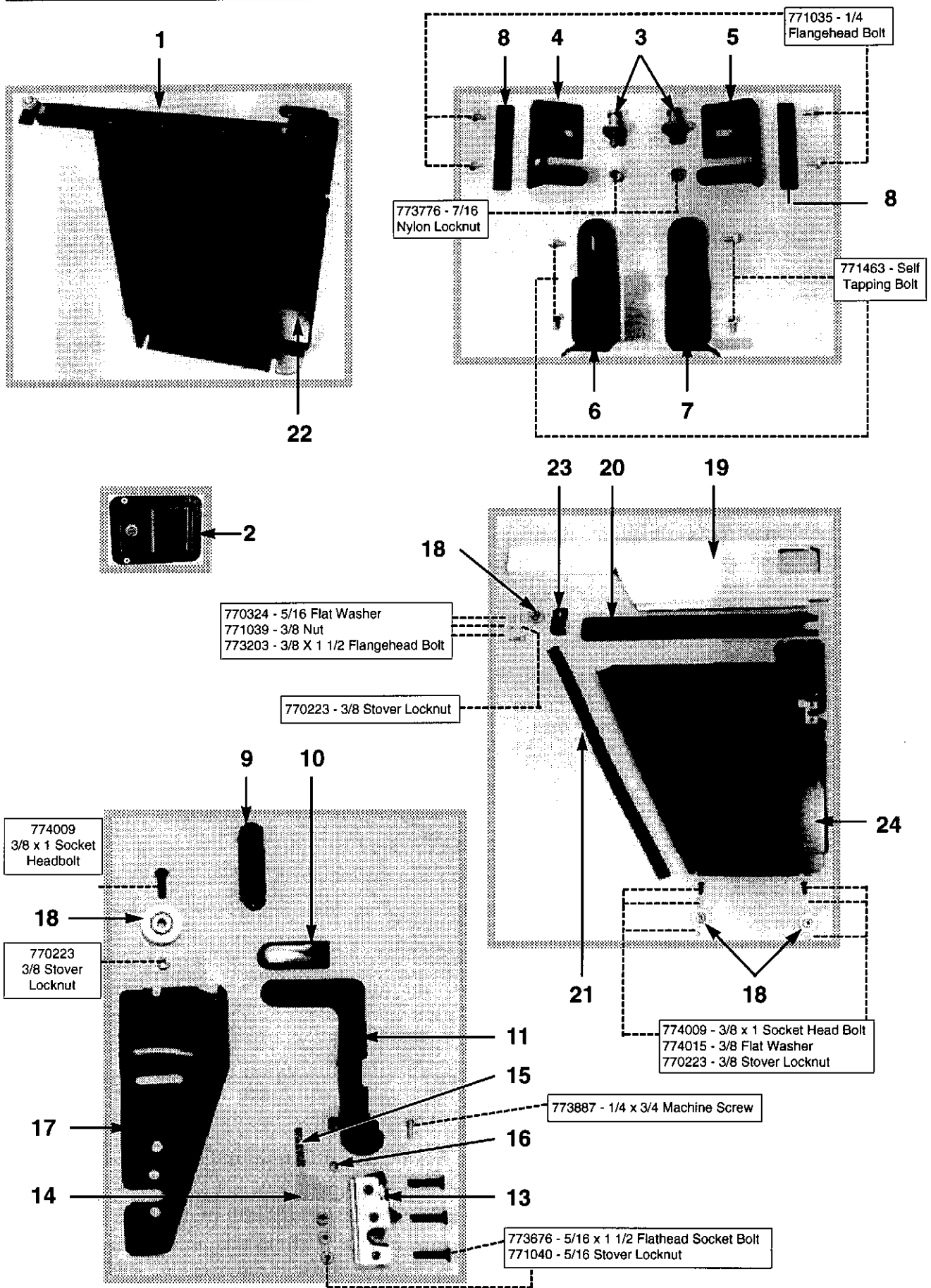
771147 - 3/16 x 1 1/2 Cotter Pin

## SEAT & SEAT BELTS

---

| <i>REF.</i> | <i>PART NAME</i>       | <i>PART NO.</i> | <i>QTY</i> |
|-------------|------------------------|-----------------|------------|
| 1           | Seat Cushion Assembly  | 579001          | 1          |
| 2           | Seat Cushion           | 572793          | 1          |
| 3           | Seat Panel             | 572579          | 1          |
| 4           | Seat Adjustment Track  | 570024          | 1          |
| 5           | Spacer                 | 343233          | 16         |
| 6           | Tube-Head Restraint    | 572944          | 1          |
| 7           | Guard-Head Restraint   | 684009          | 2          |
| 8           | Shoulder Belt          | 570026          | 1          |
| 9           | Seat Belt Anchor Strap | 573794          | 2          |

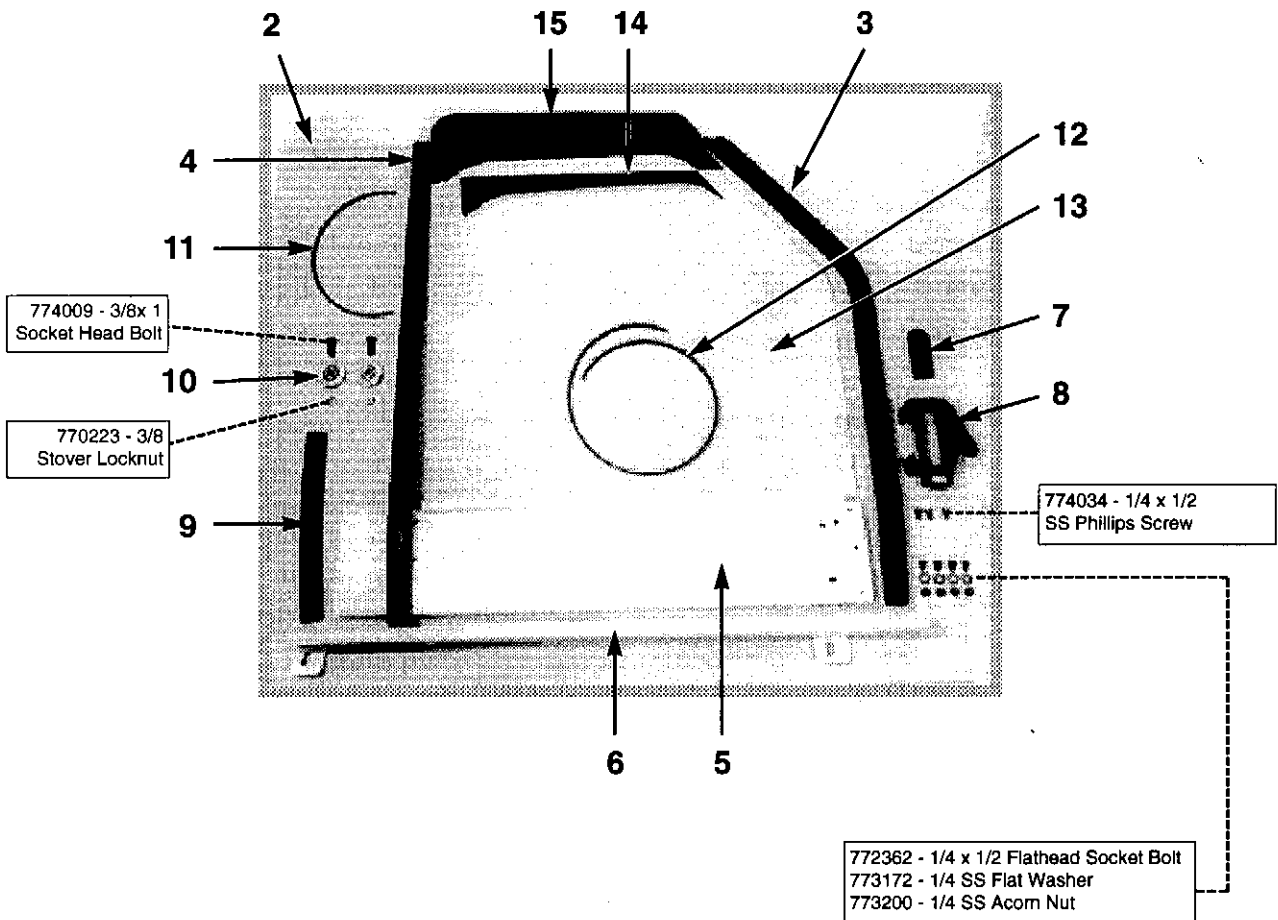
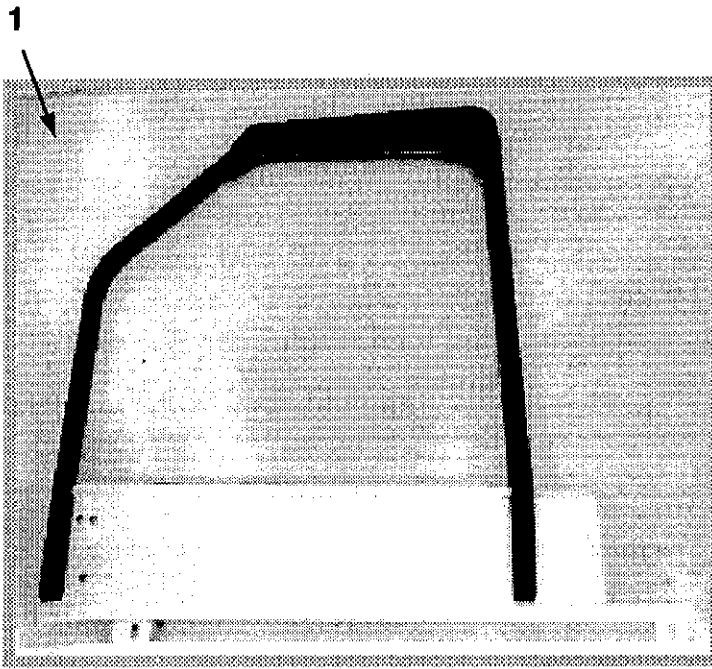
# DOOR, Lower



## DOOR, Lower

| REF. | PART NAME                                     | PART NO. | QTY |
|------|-----------------------------------------------|----------|-----|
| 1    | Door-LH Assembly                              | 589001   | 1   |
|      | Door-RH Assembly ( <i>not shown</i> )         | 589000   | 1   |
| 2    | Paddle Handle, Locking                        | 583376   | 1   |
| 3    | Pin-Door Striker                              | 583379   | 2   |
| 4    | Striker-RH Door                               | 583742   | 2   |
| 5    | Striker-LH Door                               | 583574   | 1   |
| 6    | Retainer-Inside Window, RH                    | 584016   | 1   |
| 7    | Retainer-Inside Window, LH                    | 584015   | 1   |
| 8    | Anchor Plate-Door Striker                     | 583653   | 2   |
| 9    | Handle-Outer Door                             | 584013   | 2   |
| 10   | Grip-Door Handle, Red                         | 584004   | 2   |
| 11   | Handle-Inside Door, RH                        | 584006   | 1   |
|      | Handle-Inside Door, LH ( <i>not shown</i> )   | 583811   | 1   |
| 13   | Latch-RH Door                                 | 583846   | 1   |
|      | Latch-LH Door ( <i>not shown</i> )            | 583845   | 1   |
| 14   | Support-Door Handle Spring                    | 584007   | 2   |
| 15   | Spring-Inside Handle                          | 583812   | 2   |
| 16   | Bushing-Door Latch                            | 584008   | 2   |
| 17   | Stiffener- Door Latch RH                      | 583738   | 1   |
|      | Stiffener- Door Latch LH ( <i>not shown</i> ) | 583540   | 1   |
| 18   | Pulley-Roller                                 | 583688   | 4   |
| 19   | Panel-Door Upper, RH                          | 583739   | 1   |
|      | Panel-Door Upper, LH ( <i>not shown</i> )     | 583710   | 1   |
| 20   | Rail-Door Upper, RH                           | 584010   | 1   |
|      | Rail-Door Upper, LH ( <i>not shown</i> )      | 584003   | 1   |
| 21   | Door Seal                                     | 684003   | 2   |
| 22   | Panel-Door Inner, RH                          | 583741   | 1   |
|      | Panel-Door Inner, LH ( <i>not shown</i> )     | 583712   | 1   |
| 23   | Support-Window Roller, Rear                   | 584000   | 2   |
| 24   | Panel-Lower Door, LH                          | 583711   | 1   |
|      | Panel-Lower Door, RH ( <i>not shown</i> )     | 583740   | 1   |

# DOOR WINDOWS



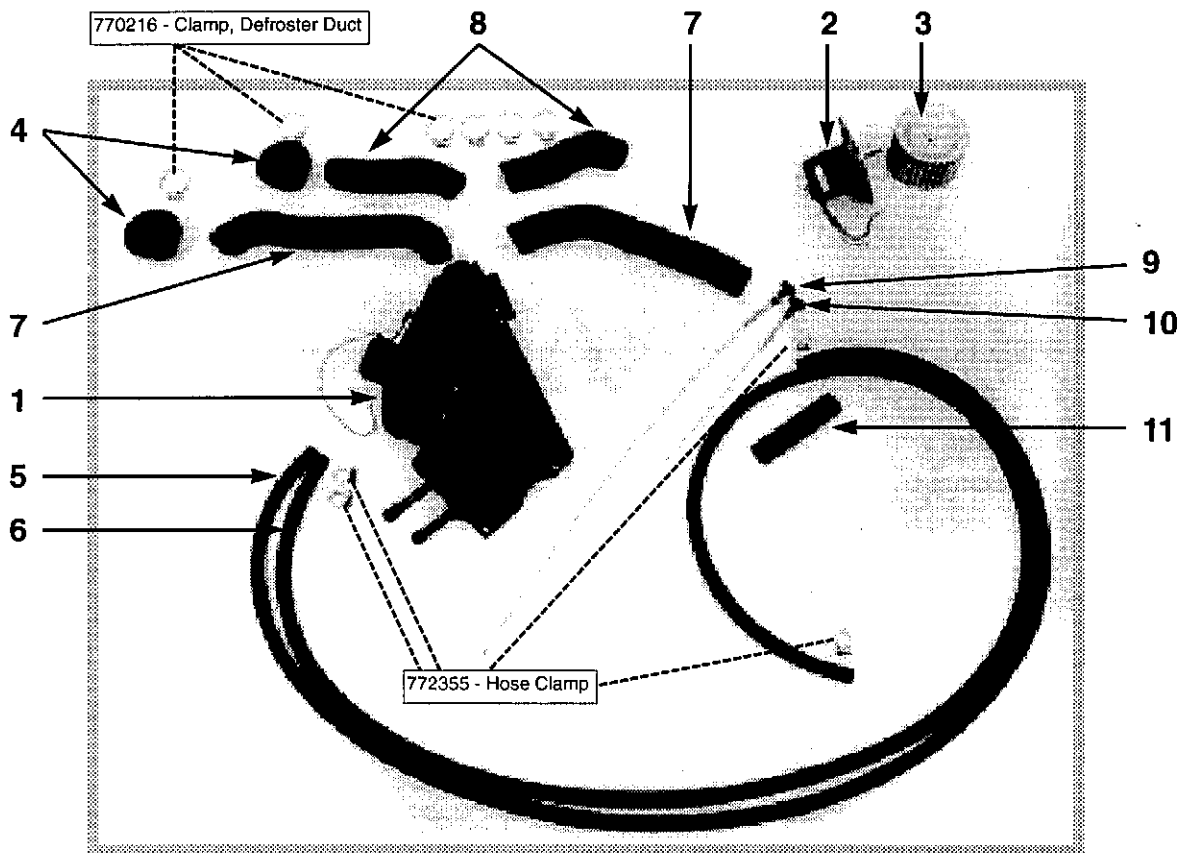
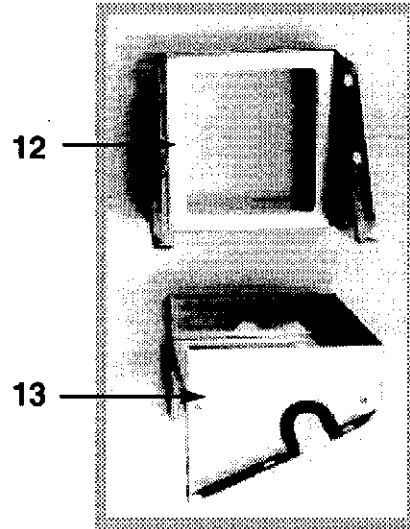


## DOOR WINDOWS

---

| REF. | PART NAME                                     | PART NO. | Q'TY |
|------|-----------------------------------------------|----------|------|
| 1    | Window-LH Assembly                            | 589003   | 1    |
| 2    | Window-RH Assembly                            | 589002   | 1    |
| 3    | Frame-Door Window RH Front                    | 584020   | 1    |
|      | Frame-Door Window LH Front <i>(not shown)</i> | 584019   | 1    |
| 4    | Frame-Door Window RH Rear                     | 584018   | 1    |
|      | Frame-Door Window LH Rear <i>(not shown)</i>  | 584017   | 1    |
| 5    | RH Lower Window Frame                         | 584024   | 1    |
|      | LH Lower Window Frame <i>(not shown)</i>      | 584023   | 1    |
| 6    | RH Window Roller Support                      | 584022   | 1    |
|      | LH Window Roller Support <i>(not shown)</i>   | 584021   | 1    |
| 7    | Grip-Window Handle,Black                      | 584005   | 2    |
| 8    | Latch-Inside Window Assembly                  | 589004   | 2    |
| 9    | Seal-Window Frame                             | 684015   | 2    |
| 10   | Pulley-Roller                                 | 583688   | 2    |
| 11   | Top Window Seal                               | 584026   | 2    |
| 12   | Bottom-Window Seal                            | 584025   | 2    |
| 13   | Door Glass                                    | 633535   | 2    |
| 14   | Guide-Outer Top Window RH                     | 583825   | 1    |
|      | Guide-Outer Top Window LH <i>(not shown)</i>  | 583824   | 1    |
| 15   | Frame-Window Top RH                           | 583635   | 1    |
|      | Frame-Window Top LH <i>(not shown)</i>        | 583634   | 1    |

# HEATING

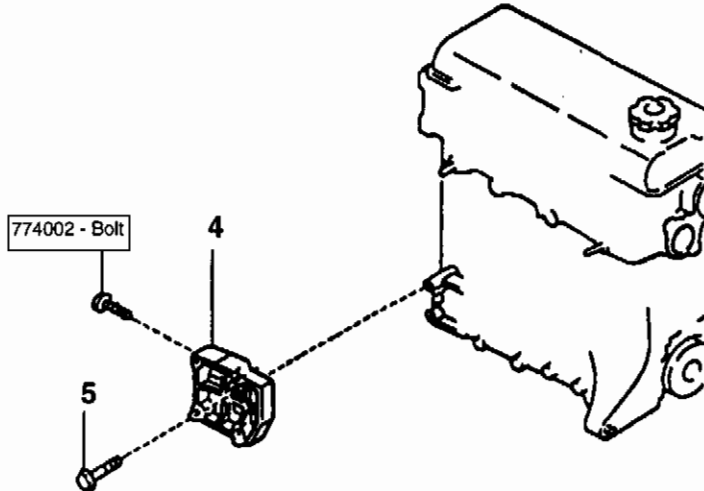
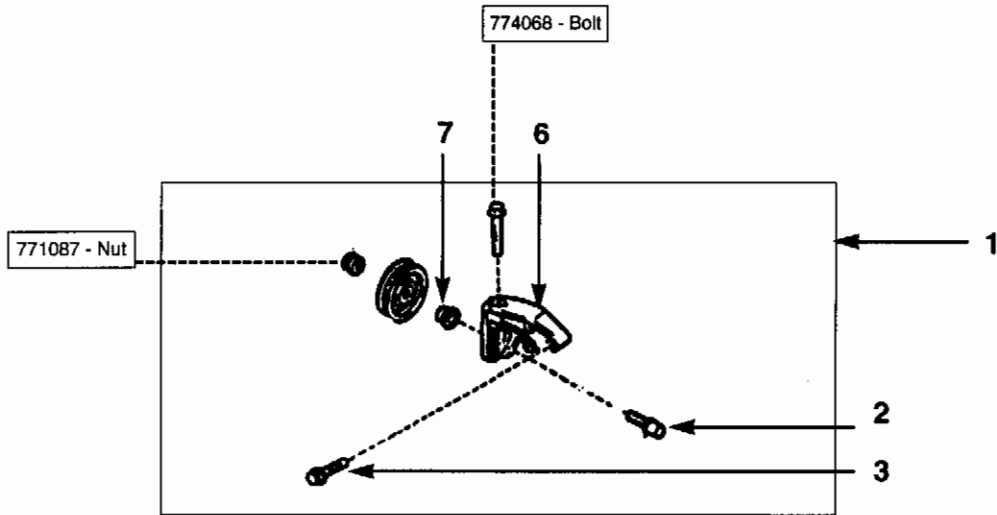


## HEATING

---

| <i>REF.</i> | <i>PART NAME</i>          | <i>PART NO.</i> | <i>QTY</i> |
|-------------|---------------------------|-----------------|------------|
| 1           | Heater (20,000 BTU)       | 613750          | 1          |
| 2           | Heater Motor              | 614023          | 1          |
| 3           | Heater Blower Fan         | 614024          | 1          |
| 4           | Adjustable Defroster Vent | 610009          | 2          |
| 5           | Heater Hose, Return       | 612136          | 1          |
| 6           | Heater Hose, Supply       | 613725          | 1          |
| 7           | Duct-Heater, RH           | 613752          | 2          |
| 8           | Duct-Heater, LH           | 613899          | 2          |
| 9           | Cable-Heater Directional  | 611548          | 1          |
| 10          | Cable-Defroster           | 613888          | 1          |
| 11          | Guard-Heater Hose, Supply | 684007          | 1          |
| 12          | LH Shroud Assembly        | 619007          | 1          |
| 13          | RH Shroud Assembly        | 619008          | 1          |

# AIR CONDITIONER — Bracket, Pulley & Belt

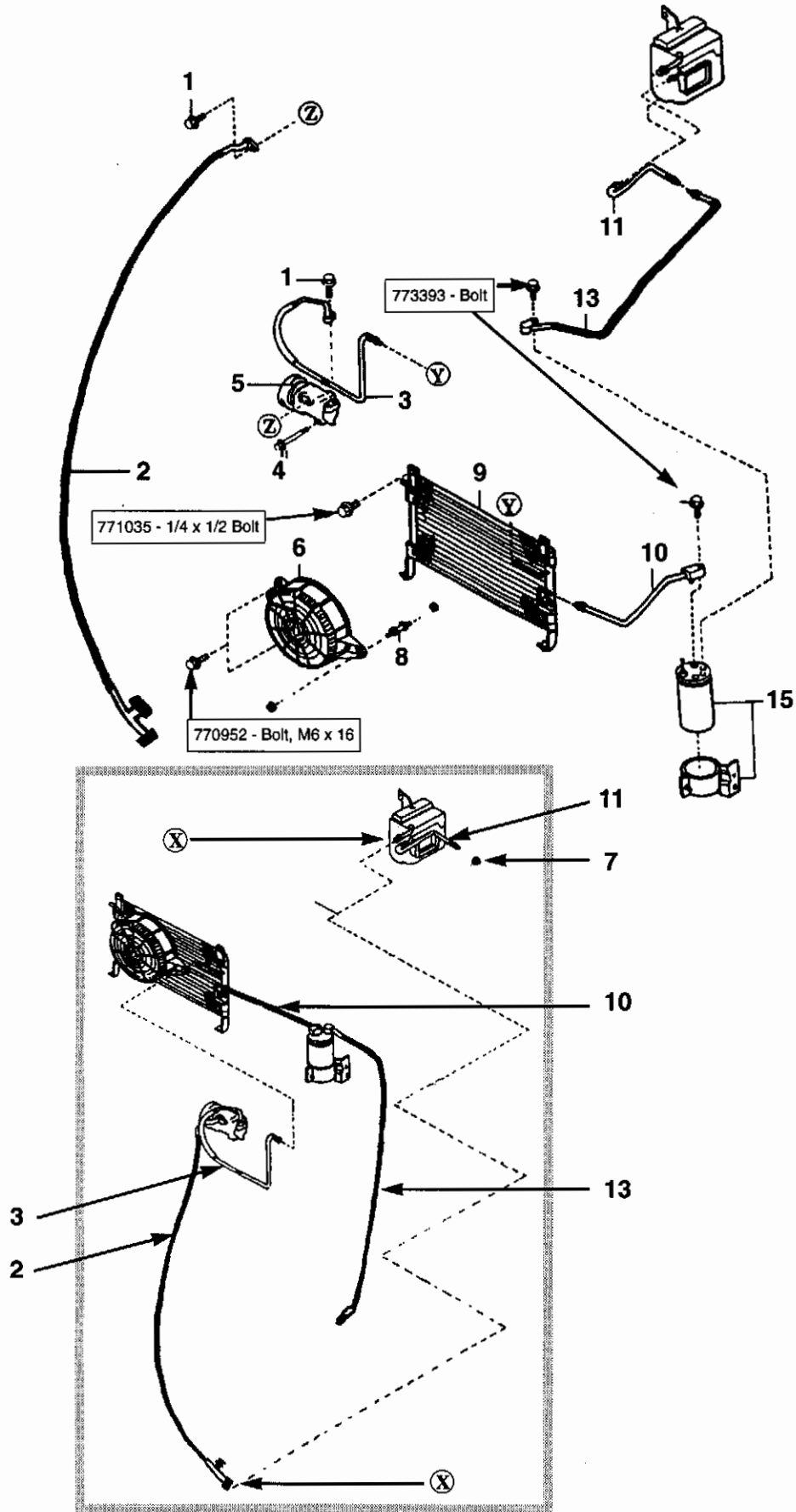


## AIR CONDITIONER — Bracket, Pulley & Belt

---

| <i>REF.</i> | <i>PART NAME</i>                 | <i>PART NO.</i> | <i>Q'TY</i> |
|-------------|----------------------------------|-----------------|-------------|
| 1           | A/C Idle Pulley                  | 613493          | 1           |
| 2           | Shaft-Idle Pulley                | 613494          | 1           |
| 3           | Bolt-A/C Idle Pulley             | 613168          | 1           |
| 4           | Bracket-A/C Pulley               | 613495          | 1           |
| 5           | Bolt-A/C Compressor Mount, Block | 610449          | 1           |
| 6           | Bracket-Idle Pulley              | 154026          | 1           |
| 7           | Collar                           | 154023          | 1           |
| 8           | Belt-A/C <i>(not shown)</i>      | 613893          | 1           |

# AIR CONDITIONER



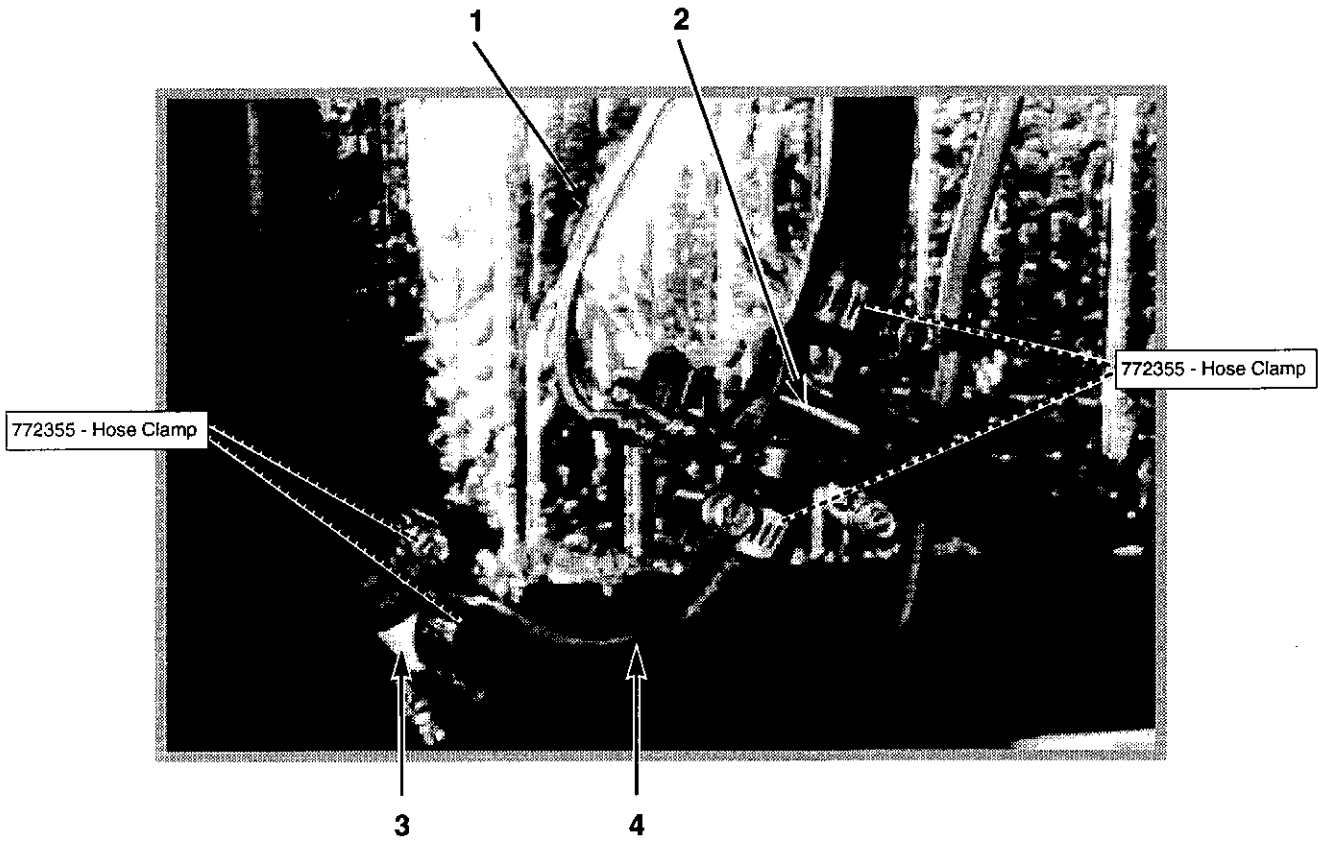
## AIR CONDITIONER

---

| REF. | PART NAME                                              | PART NO. | QTY |
|------|--------------------------------------------------------|----------|-----|
| 1    | Bolt-Hoses to Compressor                               | 613737   | 2   |
| 2    | Line-Evaporator to Compressor                          | 619005   | 1   |
| 3    | Discharge Line-A/C Compressor to Condenser             | 613134   | 1   |
| 4    | Bolt-Compressor to Bracket Assembly                    | 613133   | 1   |
| 5    | A/C Compressor                                         | 613109   | 1   |
| 6    | A/C Fan Assembly-Condensor                             | 613142   | 1   |
| 7    | Grommet                                                | 191798   | 2   |
| 8    | Rubber Mounting                                        | 133026   | 1   |
| 9    | A/C Condenser                                          | 613139   | 1   |
| 10   | Line-A/C Condenser to Liquid Drier                     | 613136   | 1   |
| 11   | Line-A/C Equalizer                                     | 613138   | 1   |
| 13   | Line-A/C Liquid Drier to Evaporator                    | 613137   | 1   |
| 14   | Line-A/C Condenser Suction Drier                       | 613136   | 1   |
| 15   | A/C Receiver Drier                                     | 613141   | 1   |
|      | Mount-Condenser LH <i>(not illustrated)</i>            | 613223   | 1   |
|      | Mount-Condenser RH <i>(not illustrated)</i>            | 613224   | 1   |
|      | Bracket-Upper Condenser Mount <i>(not illustrated)</i> | 613609   | 1   |
|      | Belt-Air Conditioner <i>(not illustrated)</i>          | 613893   | 1   |
|      | Mount-Receiver Drier <i>(not illustrated)</i>          | 614003   | 1   |
|      | Mount-Condenser Fan <i>(not illustrated)</i>           | 614007   | 1   |

# AIR CONDITIONER

---





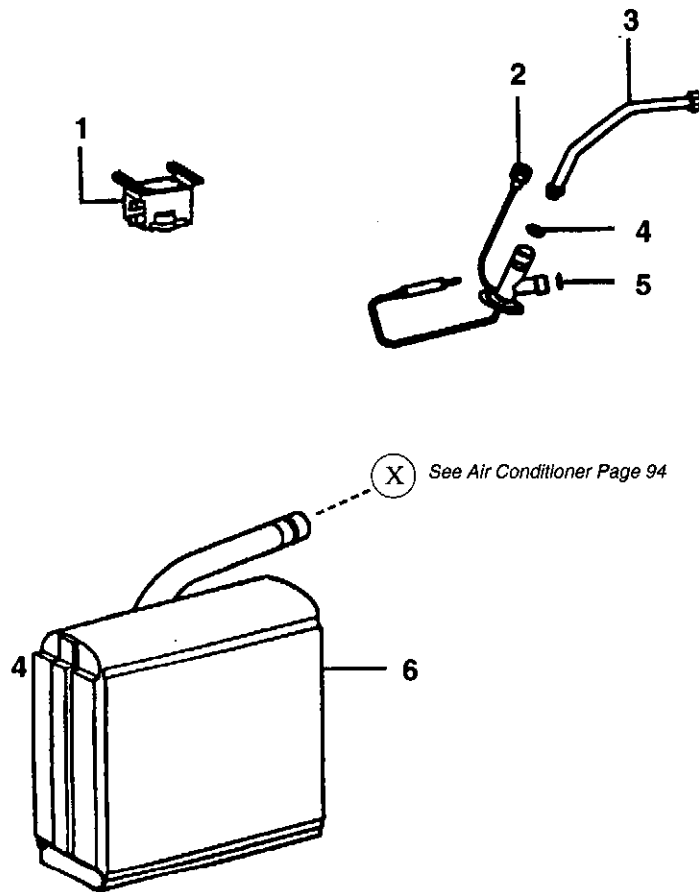
## AIR CONDITIONER

---

| <i>REF.</i> | <i>PART NAME</i>            | <i>PART NO.</i> | <i>QTY</i> |
|-------------|-----------------------------|-----------------|------------|
| 1           | Cable Heater Directional    | 611548          | 1          |
| 2           | 3-way Control Valve         | 614020          | 1          |
| 3           | Plastic T Insert            | 614022          | 1          |
| 4           | Heater Hose-3 Way to Insert | 614012          | 1          |

# AIR CONDITIONER — Cooling Unit

---

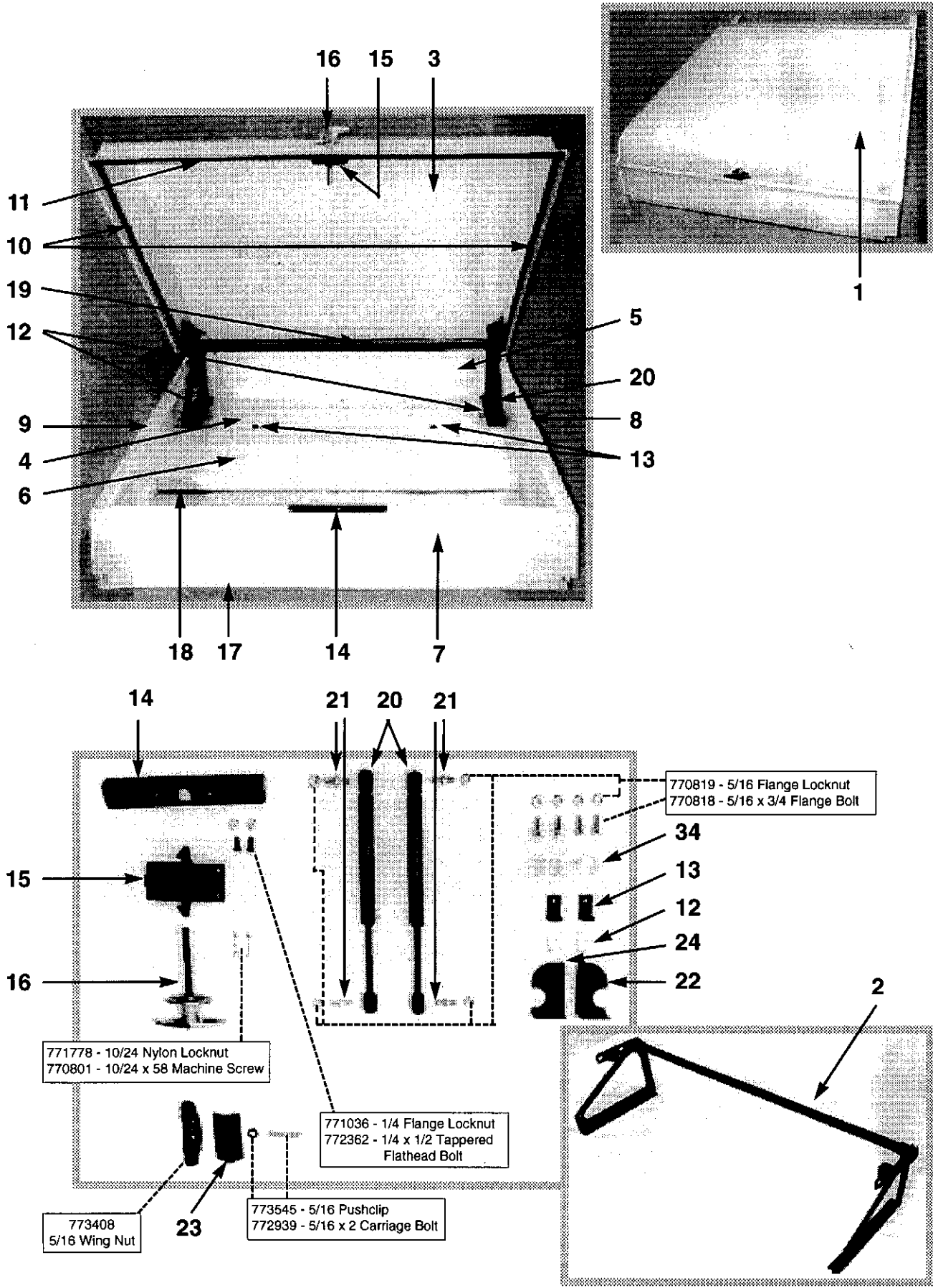


## AIR CONDITIONER — Cooling Unit

---

| <i>REF.</i> | <i>PART NAME</i>                               | <i>PART NO.</i> | <i>QTY</i> |
|-------------|------------------------------------------------|-----------------|------------|
| 1           | A/C Thermostat                                 | 614025          | 1          |
| 2           | A/C Expansion Valve                            | 614026          | 1          |
| 3           | A/C Expansion Valve to Evaporator Line         | 614027          | 1          |
| 4           | O-Ring-A/C Expansion Valve to Evaporator Valve | 614028          | 1          |
| 5           | O-Ring-A/C Equalizer Line                      | 614029          | 1          |
| 6           | A/C Evaporator Core                            | 613507          | 1          |

# UPPER TRUNK ASSEMBLY

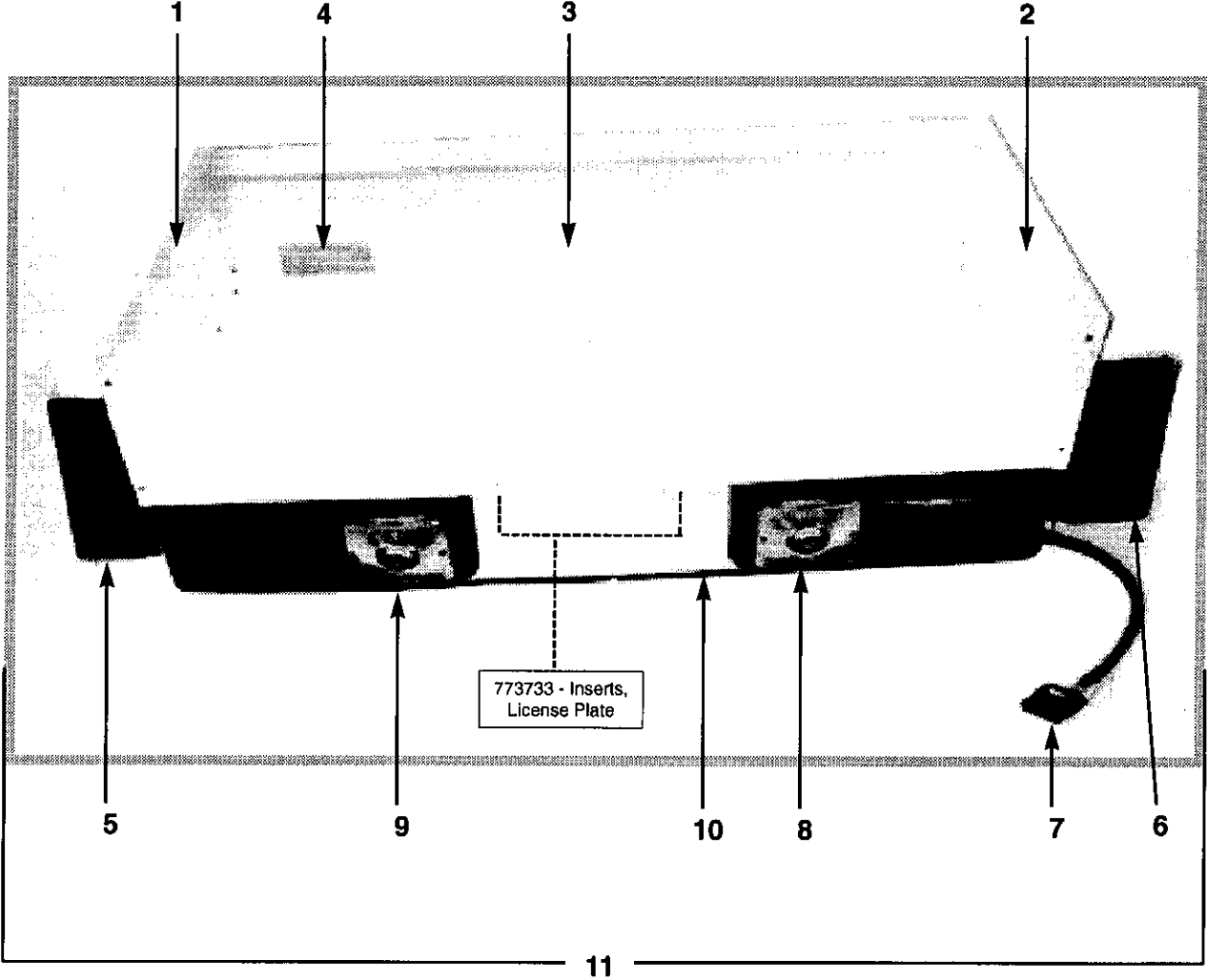


## UPPER TRUNK ASSEMBLY

---

| <i>REF.</i> | <i>PART NAME</i>                    | <i>PART NO.</i> | <i>QTY</i> |
|-------------|-------------------------------------|-----------------|------------|
| 1           | Upper Trunk Assembly                | 629001          | 1          |
| 2           | Hinge-Upper Trunk                   | 624003          | 1          |
| 3           | Lid- Upper Trunk                    | 624001          | 1          |
| 4           | Panel-Engine Inspection             | 624009          | 1          |
| 5           | Panel-Upper Trunk Front             | 624006          | 1          |
| 6           | Panel-Trunk Floor                   | 624008          | 1          |
| 7           | Panel-Upper Trunk, Rear             | 623504          | 1          |
| 8           | Panel-Trunk, RH Side                | 623818          | 1          |
| 9           | Panel-Upper Trunk, LH Side          | 623817          | 1          |
| 10          | Seal-Upper Trunk Lid, Side          | 684014          | 2          |
| 11          | Seal-Upper Trunk Rear Lid           | 684012          | 1          |
| 12          | Hinge-Engine Inspection Panel       | 624017          | 1          |
| 13          | Latch-Engine Inspection Panel       | 624016          | 2          |
| 14          | Trunk Lid Striker                   | 623197          | 1          |
| 15          | Latch, Trunk Lid                    | 621019          | 1          |
| 16          | T-Handle, Trunk                     | 621052          | 1          |
| 17          | Seal-Upper Trunk, Lower Panel       | 684004          | 1          |
| 18          | Seal-Upper Trunk, Floor             | 684020          | 1          |
| 19          | Seal-Upper Trunk, Front Panel & Lid | 684013          | 1          |
| 20          | Gas Prop                            | 621007          | 2          |
| 21          | Ball Stud                           | 621008          | 4          |
| 22          | Trunk Hinge, Filler Panel, LH       | 624011          | 1          |
| 23          | Trunk Retainer                      | 623498          | 1          |
| 24          | Trunk Hinge Filler Panel, RH        | 624012          | 1          |
| 34          | Bushing-Plastic                     | 621469          | 2          |

LOWER TRUNK

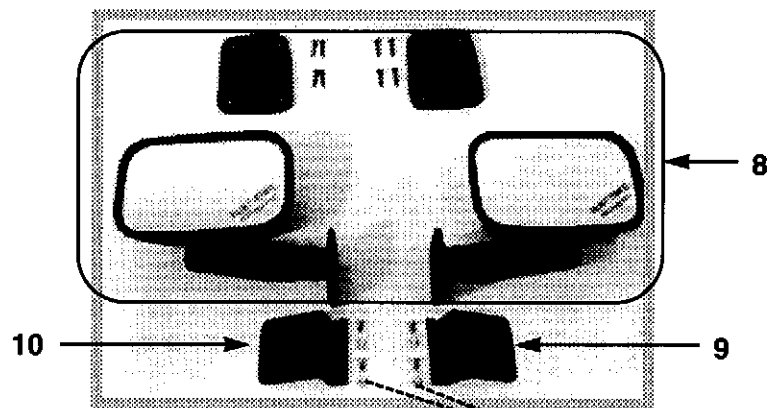
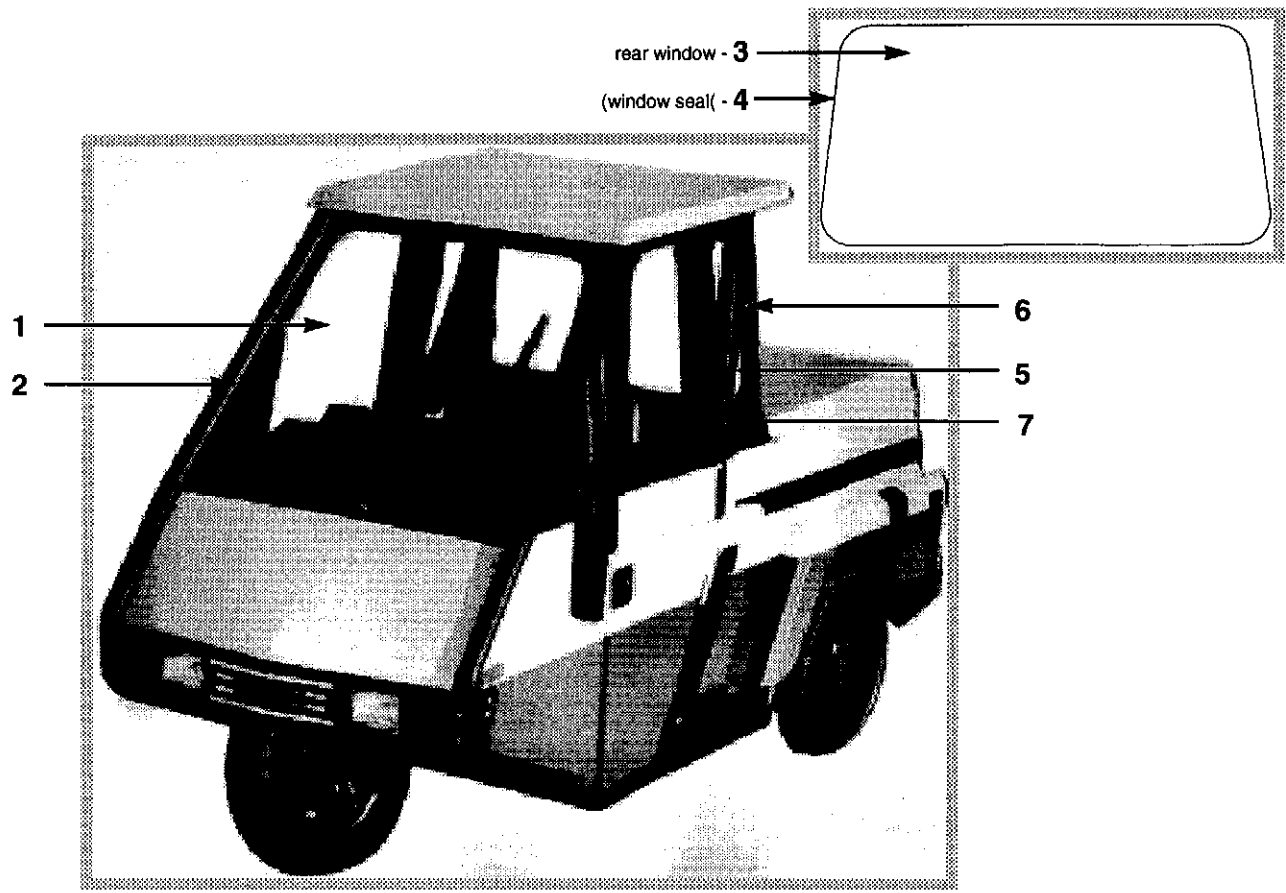


## LOWER TRUNK

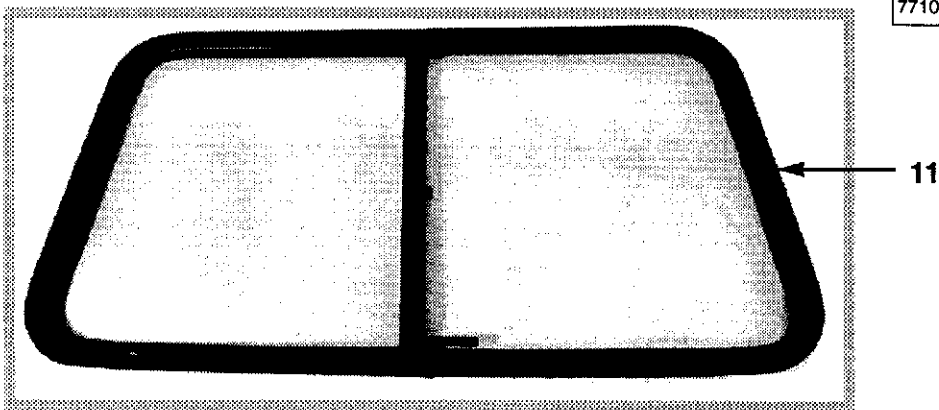
---

| <i>REF.</i> | <i>PART NAME</i>              | <i>PART NO.</i> | <i>QTY</i> |
|-------------|-------------------------------|-----------------|------------|
| 1           | Panel-LH Lower Trunk          | 623522          | 1          |
| 2           | Panel-RH Lower Trunk          | 623523          | 1          |
| 3           | Box-Lower Trunk               | 623521          | 1          |
| 4           | Tire Pressure Decal           | 691050          | 1          |
| 5           | Signal Light Assembly-LH Rear | 519003          | 1          |
| 6           | Signal Light Assembly-RHRear  | 519002          | 1          |
| 7           | Rear Electrical Harness       | 672878          | 1          |
| 8           | Tailight-RH Rear              | 513583          | 1          |
| 9           | Tailight-LH Rear              | 513584          | 1          |
| 10          | Seal-Lower Trunk              | 684004          | 1          |
| 11          | Bottom Trunk Assembly         | 629000          | 1          |

# WINDOWS



774034 - 1/2 SS Screw  
771036 - 1/4 Flange Locknut





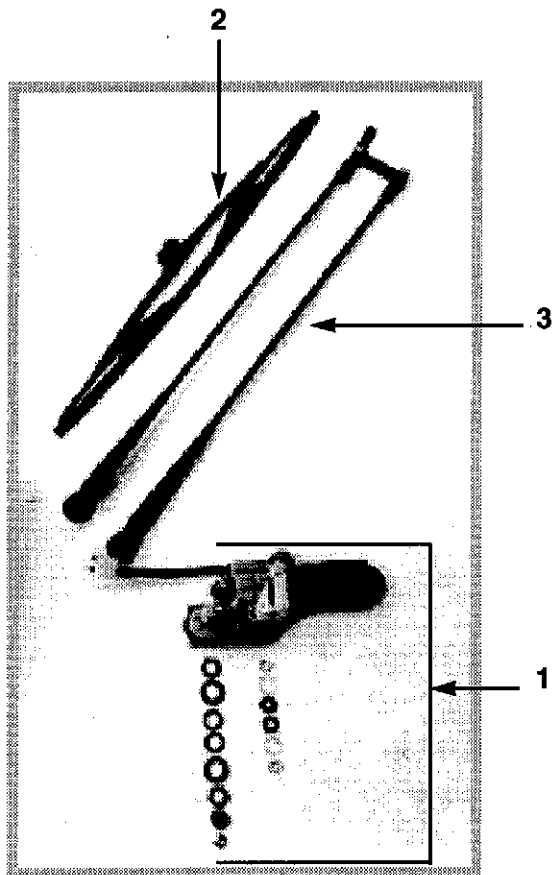
## WINDOWS

---

| <i>REF.</i> | <i>PART NAME</i>             | <i>PART NO.</i> | <i>QTY</i> |
|-------------|------------------------------|-----------------|------------|
| 1           | Front Window                 | 630994          | 1          |
| 2           | Front Glass Seal             | 682259          | 1          |
| 3           | Rear Window                  | 630995          | 1          |
| 4           | Rear Window Seal             | 684010          | 1          |
| 5           | Side Glass Window            | 633528          | 2          |
| 6           | Side Glass Seal              | 683724          | 2          |
| 7           | Door Glass, Window           | 633535          | 2          |
| 8           | Mirror Assembly              | 633637          | 2          |
| 9           | Bracket-Mirror RH            | 533844          | 1          |
| 10          | Bracket-Mirror LH            | 533843          | 1          |
| 11          | Sliding Rear Window Assembly | 632309          | 1          |

# WINDSHIELD WIPER

---

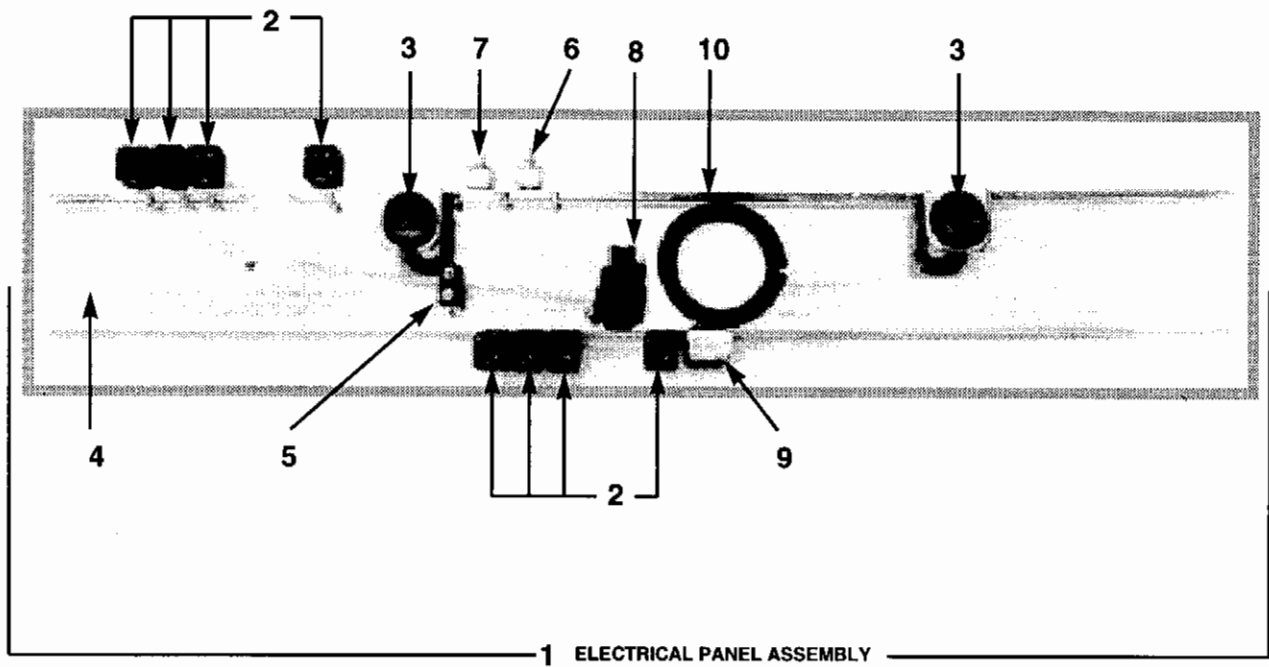


# WINDSHIELD WIPER

---

| <i>REF.</i> | <i>PART NAME</i>    | <i>PART NO.</i> | <i>QTY</i> |
|-------------|---------------------|-----------------|------------|
| 1           | 2-Speed Wiper Motor | 644000          | 1          |
| 2           | Wiper Blade         | 644001          | 1          |
| 3           | Parallel Wiper Arm  | 644002          | 1          |

# ELECTRICAL PANEL ASSEMBLY

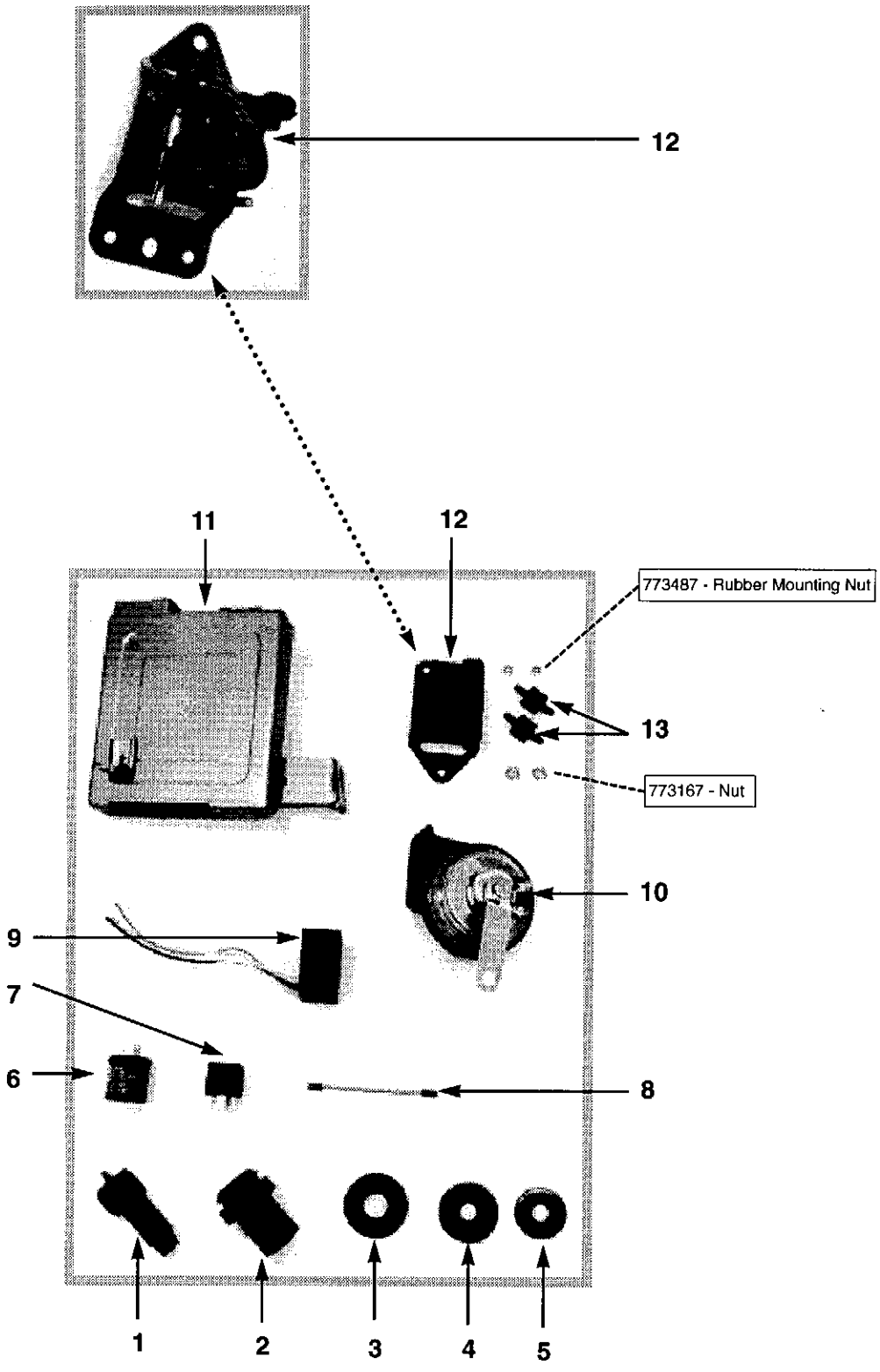


## ELECTRICAL PANEL ASSEMBLY

---

| <i>REF.</i> | <i>PART NAME</i>          | <i>PART NO.</i> | <i>QTY</i> |
|-------------|---------------------------|-----------------|------------|
| 1           | Electrical Panel Assembly | 679000          | 1          |
| 2           | Relay-4 Plug              | 661752          | 8          |
| 3           | Radiator Bracket-Upper    | 153798          | 2          |
| 4           | Electrical Panel          | 533779          | 1          |
| 5           | 50 Amp Circuit Breaker    | 662227          | 1          |
| 6           | 20 Amp Circuit Breaker    | 662916          | 1          |
| 7           | 15 Amp Circuit Breaker    | 662915          | 1          |
| 8           | Fuel Pump Switch          | 663335          | 1          |
| 9           | Fuel Pump Relay           | 663638          | 1          |
| 10          | Edge Protector            | 684019          | 1          |

ELECTRICAL PANEL ASSEMBLY

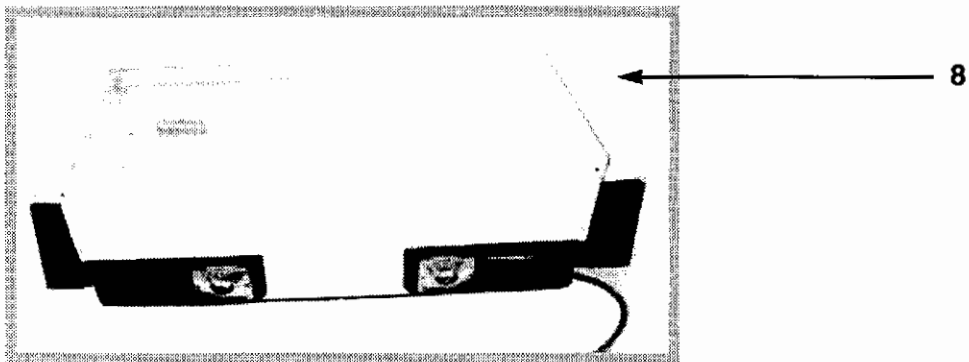
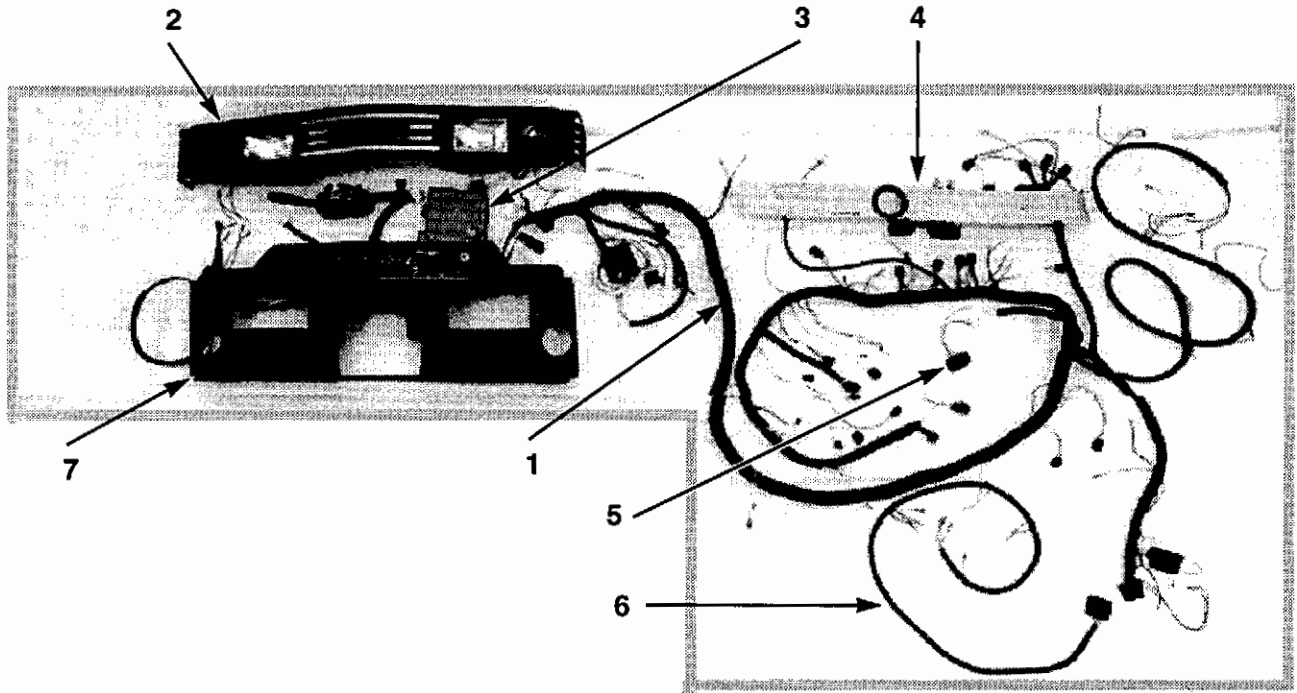


## ELECTRICAL PANEL ASSEMBLY

---

| <i>REF.</i> | <i>PART NAME</i>            | <i>PART NO.</i> | <i>QTY</i> |
|-------------|-----------------------------|-----------------|------------|
| 1           | Alternator Boot             | 673011          | 1          |
| 2           | Grommet                     | 683815          | 1          |
| 3           | Grommet-1-1/4 x 3/4 I.D.    | 191796          | 1          |
| 4           | Grommet-1-1/4 x 1/2 I.D.    | 191797          | 1          |
| 5           | Grommet-1 x 1/2 I.D.        | 191798          | 4          |
| 6           | 2 Prong Flasher             | 661044          | 1          |
| 7           | Relay-4 Prong               | 661752          | 1          |
| 8           | Jumper Wire-Circuit Breaker | 678002          | 1          |
| 9           | Potted Speed Switch         | 663251          | 1          |
| 10          | Horn-Double Contact         | 663524          | 1          |
| 11          | E.G.I. Unit                 | 663110          | 1          |
| 12          | Valve Assembly-Solenoid     | 183349          | 1          |
| 13          | Rubber Mounting             | 133026          | 2          |

# WIRING HARNESS



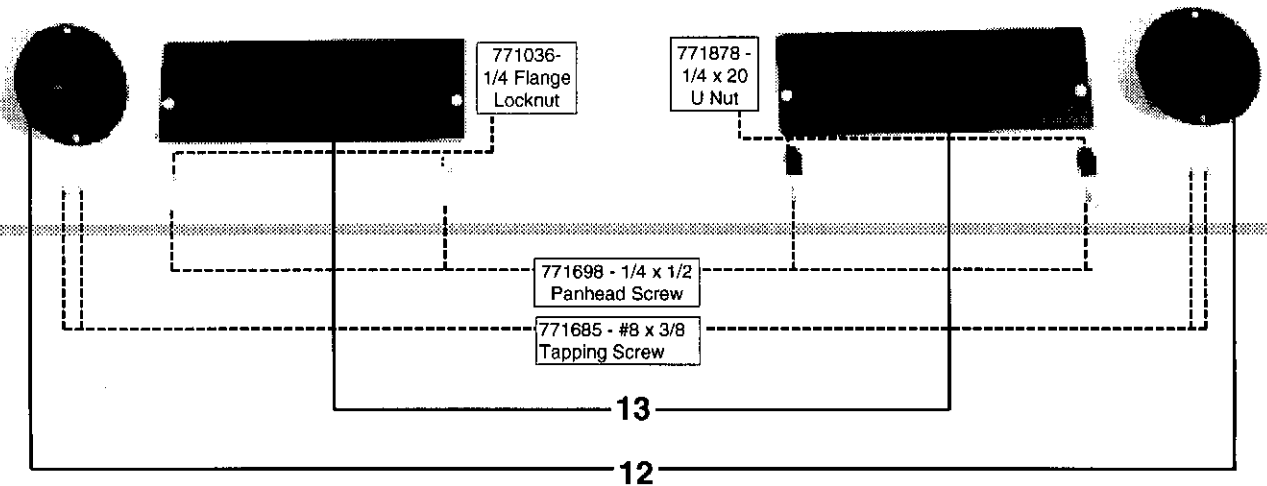
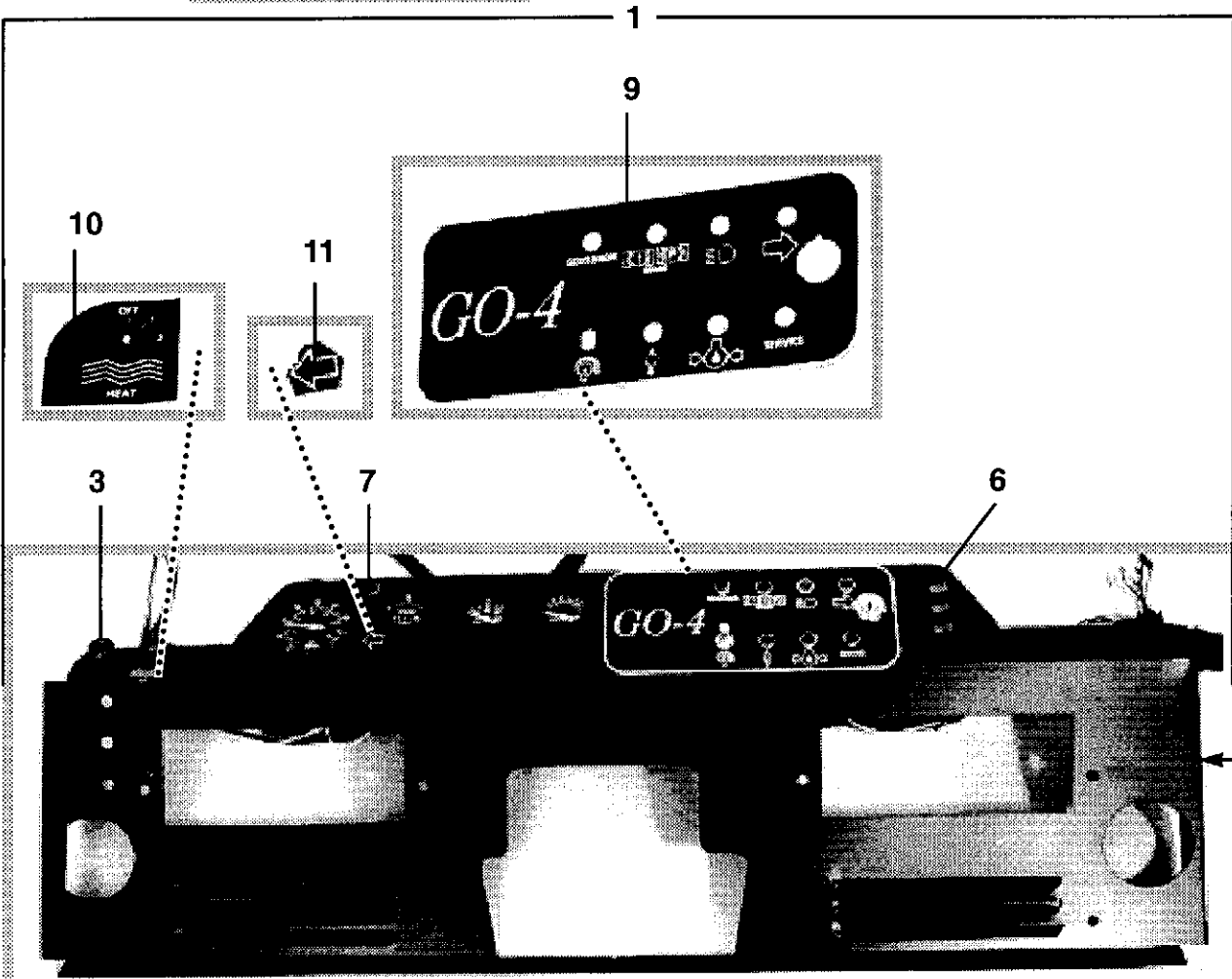
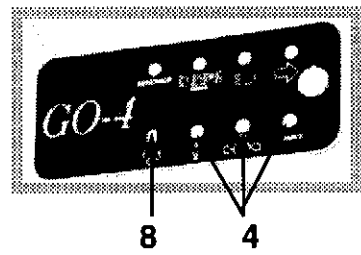
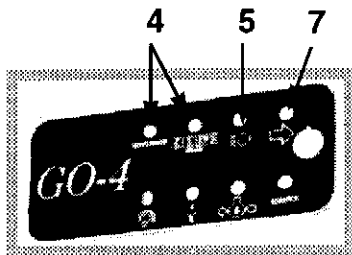


## WIRING HARNESS

---

| <i>REF.</i> | <i>PART NAME</i>          | <i>PART NO.</i> | <i>QTY</i> |
|-------------|---------------------------|-----------------|------------|
| 1           | Main Harness              | 673667          | 1          |
| 2           | Bumper-Front Assembly     | 509000          | 1          |
| 3           | E.G.I. Unit               | 663110          | 1          |
| 4           | Electrical Panel Assembly | 679000          | 1          |
| 5           | Potted Speed Switch       | 663251          | 1          |
| 6           | Rear Harness              | 672878          | 1          |
| 7           | Dash Assembly             | 559000          | 1          |
| 8           | Bottom Trunk Assembly     | 629000          | 1          |

# DASH & WIRING HARNESS



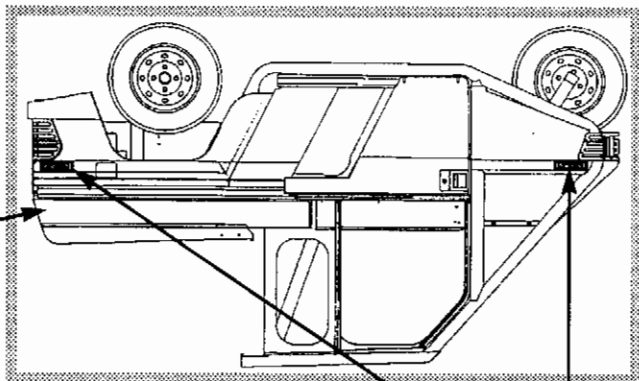
## DASH & WIRING HARNESS

---

| <i>REF.</i> | <i>PART NAME</i>          | <i>PART NO.</i> | <i>QTY</i> |
|-------------|---------------------------|-----------------|------------|
| 1           | Dash Assembly             | 559000          | 1          |
| 2           | Panel-Dash Instrument     | 533723          | 1          |
| 3           | Heater-2 Speed Switch     | 660023          | 1          |
| 4           | Red Light-Dash            | 662043          | 5          |
| 5           | Blue Light-Dash           | 662044          | 1          |
| 6           | Illuminated Locker Switch | 662836          | 3          |
| 7           | Green Light-Dash          | 662045          | 2          |
| 8           | Push/Pull Switch          | 663383          | 1          |
| 9           | Decal-Dash                | 694002          | 1          |
| 10          | Decal-Heater Switch       | 694003          | 1          |
| 11          | Decal-Turn Signal LH      | 694004          | 1          |
| 12          | Adjustable Defroster Vent | 610009          | 2          |
| 13          | Panel-Dash Inspection     | 534010          | 2          |

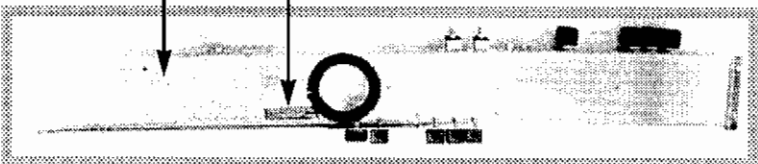


5 (inside trunk)



6

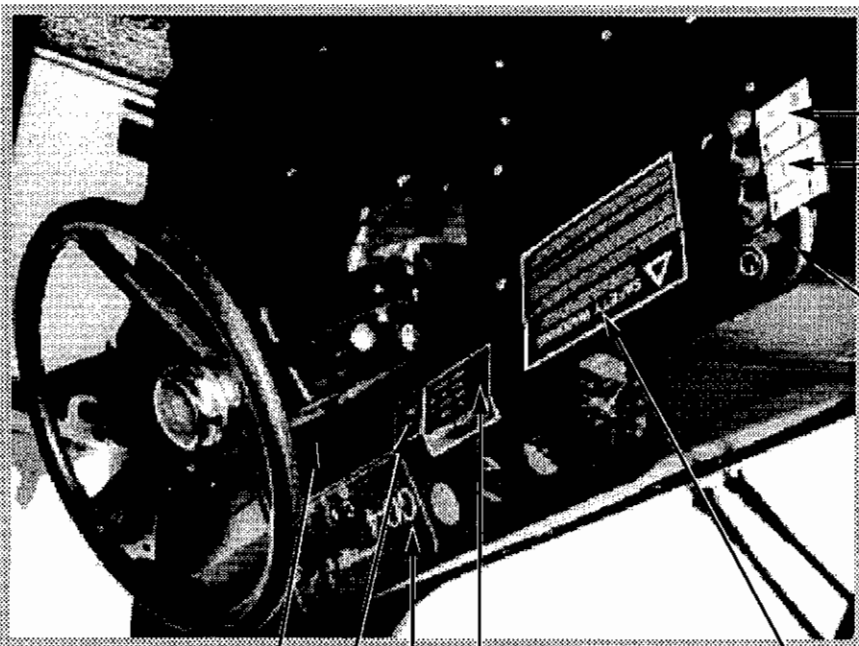
7



12

2

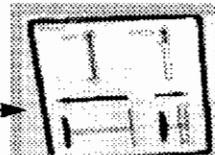
15



8

9

14



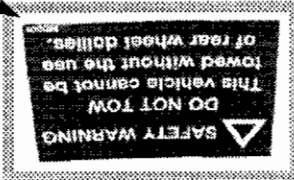
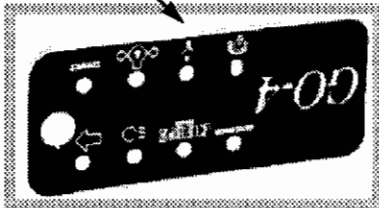
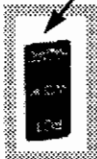
11

4

13

1

3



CAUTION PLATES

## CAUTION PLATES

---

| <i>REF.</i> | <i>PART NAME</i>                 | <i>PART NO.</i> | <i>QTY</i> |
|-------------|----------------------------------|-----------------|------------|
| 1           | Safety Warning (4.25 x 3) Decal  | 690035          | 1          |
| 2           | Warning (3.75 x 1) Decal         | 690036          | 1          |
| 3           | Safety Warning (7.5 x 4.5) Decal | 690037          | 1          |
| 4           | 1 Person Only Decal              | 690044          | 1          |
| 5           | Tire Pressure Decal              | 691050          | 1          |
| 6           | Reflective Tape-Amber            | 691755          | 2          |
| 7           | Reflective Tape-Red              | 691754          | 2          |
| 8           | Heater Defrost Control Decal     | 692062          | 1          |
| 9           | Temperature Control Decal        | 692065          | 1          |
| 11          | Rot, Work Hazard                 | 692850          | 1          |
| 12          | Decal-Emission Control, 1966     | 694001          | 1          |
| 13          | Decal-Dash                       | 694002          | 1          |
| 14          | Decal-Heater Switch              | 694003          | 1          |
| 15          | Decal-Turn Signal, LH            | 694004          | 1          |

— AMENDMENTS —

---

---